



PreciseFlex[™] 3400 Robots

User Manual

Part Number 615248, Revision B



Brooks Automation

Information provided within this document is subject to change without notice, and although believed to be accurate, Brooks Automation assumes no responsibility for any errors, omissions, or inaccuracies.

AcuLigner™, Advan Tag™, AutoTeach™, ATR™, AXM™, BiSymmetrik™, CenterSmart™, Crate to Operate™, CrossingConnect™, DARTS™, Enerta™, e-RMA™, e-Spares™, e-Volution™, Falcon™, FIXLOAD™, FrogLeg™, GuardianPro™, Independent Twin Linear Exchange™, InCooler™, InLigner™, Isoport™, ITLX™, Jet™, Jet Engine™, LEAP™, LeapFrog™, LowProfile™, LPT™, M2 Nano™, Marathon 2, Marathon Express, PASIV™, Pathway™, PowerPak™, PowerTools™, PuroMaxx™, QuadraFly™, Radius™, Radiant™, Radiant Express™, Reliance™, Reliance ATR™, RetroEase™, SCARA™, SmartPM™, SMIF-INX™, SMIF-LPT™, SPOTLevel™, The New Pathway to Productivity™, Time Optimized Trajectory™, Time Optimal Trajectory™, Time Optimized Path™, TopCooler™, TopLigner™, VacuTran™, VersaPort™, WaferEngine™, LEAP™, Pathway™, GIO, GSB, Guidance 6600, Guidance 6430, Guidance 6420, Guidance 6410, Guidance 6000, Guidance 3400, Guidance 3300, Guidance 3200, Guidance 2600, Guidance 2400, Guidance 2300, Guidance 2200, Guidance 1400, Guidance 1300, Guidance 1200, Guidance 0200 Slave Amplifier, Guidance 0006, Guidance 0004, Guidance Controller, Guidance Development Environment, GDE, Guidance Development Suite, GDS, Guidance Dispense, Guidance Input and Output Module, Guidance Programming Language, GPL, Guidance Slave Board, Guidance System, Guidance System D4/D6, PreciseFlex™ 300, PreciseFlex™ 400, PreciseFlex™ 3400, PreciseFlex™ 1300, PreciseFlex™ 1400, PreciseFlex™ DD4, PreciseFlex™ DD6, PreciseFlex™ DDR, PreciseFlex™ G5400, PreciseFlex™ G5600, PreciseFlex™ G6400, PreciseFlex™ G6410, PreciseFlex™ G6420, PreciseFlex™ G6430, PreciseFlex™ G6600, PreciseFlex™ GSBP Slave Amp, PreciseFlex™ PFD0, PrecisePlace 100, PrecisePlace 0120, PrecisePlace 0130, PrecisePlace 0140, PrecisePlace 1300, PrecisePlace 1400, PrecisePlace 2300, PrecisePlace 2400, PrecisePower 300, PrecisePower 500, PrecisePower 1000, PrecisePower 2000, PreciseVision, and RIO logos are trademarks of Brooks Automation.

Fusion®, Guardian®, MagnaTran®, Marathon®, Razor®, Spartan®, Vision®, Zaris®, and the Brooks and design logo are registered U.S. trademarks of Brooks Automation.

All other trademarks are properties of their respective owners.

© 2024 Brooks Automation. All rights reserved. The information included in this manual is proprietary information of Brooks Automation, and is provided for the use of Brooks customers only and cannot be used for distribution, reproduction, or sale without the express written permission of Brooks Automation.

This technology is subject to United States export Administration Regulations and authorized to the destination only; diversion contrary to U.S. law is prohibited.

<p>Brooks Automation 15 Elizabeth Drive Chelmsford, MA 01824-2400 Tel: +1 978-262-2400 Fax: +1 978-262-2500</p>	<p>Brooks Automation, PreciseFlex Collaborative Robots 201 Lindbergh Avenue Livermore, CA 94551 Tel: +1-408-224-2838</p>
--	---



Worldwide Headquarters

15 Elizabeth Drive
Chelmsford, MA 01824 U.S.A.

Brooks Automation, PreciseFlex Collaborative Robots

201 Lindbergh Avenue
Livermore, CA 94551 U.S.A

Technical Support

Location	Contact	Website
North America	+1-800-447-5007 (Toll-Free) +1-978-262-2900 (Local) +1-408-224-2838 (PreciseFlex™)	
Europe	support_preciseflex@brooksautomation.com	
Japan	+81 120-255-390 (Toll Free) +81 45-330-9005 (Local)	
China	+86 21-5131-7066	http://www.brooks.com/
Taiwan	+886 080-003-5556 (Toll Free) +886 3-5525258 (Local)	
Korea	1800-5116 (Toll Free)	
Singapore	+65 1-800-4-276657 (Toll Free) +65 6309 0701 (Local)	

General Emails

Division	Email Address
Sales	sales_preciseflex@brooksautomation.com
Technical Support	support_preciseflex@brooksautomation.com
Technical Publications	Technical.Publications@brooksautomation.com

**Brooks Automation**

15 Elizabeth Drive
Chelmsford, MA
01824-2400
Tel: +1 978-262-2400
Fax: +1 978-262-2500
www.brooks.com

Brooks Locations Worldwide:

Brooks Automation

46702 Bayside Parkway
Fremont, CA 94538
Tel: +1-510-661-5000
Fax: +1-510-661-5166

Brooks Automation

AIM Servicios Administrativos
S de RL de CV
Carretera Huinalá km 2.8
Parque Industrial Las Américas
66640 Apodaca, NL Mexico
Tel: +52 81 8863-6363

Brooks Automation (Germany) GmbH

Ernst-Ruska-Ring 11
07745 Jena, Germany
Tel: +49 3641 4821 100
Fax: +49 3641 4821 4100

Brooks Automation (Germany) GmbH

Daimler-Straße 7
78256 Steißlingen, Germany
Tel: +49-7732-9409-0
Fax: +49-7732-9409-200

Brooks Automation

9601 Dessau Road, Suite 301
Austin, TX 78754
Tel: +1 512-912-2840
Toll-Free: +1 800-367-4887

Brooks Automation (Israel) Ltd.

Mevo Yerach 5
Kiryat-Gat 82000
Israel
Tel: +972 8672 2988
Fax: +972 8672 2966

Brooks Technology (Shanghai) Limited

2nd Floor, No. 72,
887 Zuchongzhi Road
Zhangjiang Hi-Tech
Park Pudong, Shanghai
China 201203
Tel: +86-21-5131-7070
Fax: +86-21-5131-7068

Brooks Japan K.K.

HEADQUARTERS
Nisso Bldg. No 16, 9F
3-8-8 ShinYokohama, Kohoku-ku
Yokohama, Kanagawa 222-0033
Tel: +81-45-477-5570
Fax: +81-45-477-5571

Brooks Japan K.K.

YOKOHAMA TECHNICAL
CENTER
852-1 Kawamuko-cho, Tsuzuki-ku
Yokohama, Kanagawa 224-0044
Tel: +81-45-477-5250
Fax: +81-45-470-6800

Brooks Japan K.K.

KUMAMOTO SERVICE OFFICE
202 Mirai Office II
312-1 Tatsudamachi Yuge
Tatsuda, Kumamoto 861-8002
Tel: +81-96-327-9720
Fax: +81-96-327-9721

Brooks CCS Japan K.K.

CONTAMINATION CONTROL
SOLUTIONS
Nisso Bldg. No 16, 9F
3-8-8 ShinYokohama, Kohoku-ku
Yokohama, Kanagawa 222-0033
Tel: +81-45-477-5570
Fax: +81-45-477-5571

Brooks Automation Ltd.

TAIWANHEADQUARTERS
5F-5, No.32, Tai-Yuen Street
Chu-Pei City
Hsinchu County 302, Taiwan,
R.O.C.
Tel: +886-3-552 5258
Fax (G&A): +886-3-552 5255
Fax (Sales): +886-3-552 5200

Brooks Automation Korea, Inc.

#35 Giheungdanji-Ro 121Beon-
Gil
Giheung-Gu, Yongin-Si
Gyeonggi-Do, 17086
Korea
Tel: +82-31-288-2500
Fax: +82-31-287-2111

Brooks Automation CCS RS AG

Lohstampfstrasse 11
CH-8274 Tagerwilen, Switzerland
Tel: + 41 71-666-72-10
Fax: + 41 71-666-72-11

Brooks Automation Korea

#35 Giheungdanji-Ro 121Beon-
Gil
Giheung-Gu, Yongin-Si
Gyeonggi-Do, 17086
Korea
Tel: +82-31-288-2500
Fax: +82-31-287-2111

Brooks Automation (S) Pte Ltd

51-18-C1 Menara BHL,
57 Jalan Ahmad Shah,
10050, Penang,
Malaysia
Tel: +60 4 3701012
Fax: +60 4 3701015

Brooks Automation (Singapore) Pte Ltd

Blk 5008 Ang Mo Kio Avenue 5
#05-08, Techplace II
Singapore 569874
Tel: +65-6836-3168
Fax: +65-6836-3177

Brooks Automation Ltd.

TAINAN OFFICE
3F., No.11, Nanke 3rd Rd., Xinshi
Dist.
Tainan Science Park
Tainan City 74147, Taiwan
(R.O.C.)
TEL: +886-6-505-0268
FAX: +886-6-505-5228

Brooks Automation Precise Collaborative Robotics

201 Lindbergh Drive
Livermore, CA 94551
Tel: +1-978-262-2400

Revision History

Revision	ECO	Date	Action	Author
A	---	2/1/2024	Released manual at Rev. A to follow standard Brooks technical publication styles..	M. Ashenfelder
B	EC154083	4/19/2024	Split manual into two: User Manual and Service Manual	M. Ashenfelder

Table of Contents



1. Safety	1
Safety Setup	1
Authorized Personnel Only	1
Explanation of Hazards and Alerts	2
Safety Text	2
Safety Icons	2
Signal Words and Color	2
Alert Example	3
General Safety Considerations	4
Mechanical Hazards	6
Electrical Hazards	7
Ergonomic Hazards	8
Emergency Stop Circuit (E-Stop)	10
Recycling and Hazardous Materials	10
2. Overview	11
Explanation of the Product Label	12
Example Sections from the Product Label	13
P/N - Part Number	15
Serial Number (SN)	16
Facilities Panel	17
World Coordinates, Joint Directions, and Tool Coordinates	20
Compatible Accessories	23
Optional Linear Axis Module	24
Optional Gripper	24
Robot Anatomy	26
3. Introduction to the Hardware	29
System Description and Overview	29
System Diagram and Coordinate System	30
World Origin	32
Tool Origin	32
Robot joint motion	33
Mounting of Robot and Linear Axis Module	35
Guidance 1400B Controller	35
Low-Voltage Power Supplies	36
Energy Dump Circuit	36
Remote Front Panel, E-Stop Box, and Manual Control Pendant	37
Remote IO Module	37
Machine Vision Software and Cameras	38
Machine Safety	38
Safety and Agency Certifications	38
Standards Compliance and Agency Certifications	39
Moving Machine Safety	40
Voltage and Power Considerations	40

Mechanical and Software Limit Stops	41
Stopping Time and Distance	41
Releasing a Trapped Operator: Brake Release Switch	42
4. Installation Information	43
Setup and Operation	43
Unpacking and Handling Instructions	43
Mounting Instructions	43
Facilities Connections	44
Power Requirements	46
Accessing the Robot Controller	47
System Dimensions	47
Tool Mounting	51
ISO Flange for End-of-Arm Tooling	52
Work Envelope	53
Environmental Specifications	54
Emergency Stop	54
5. Hardware Reference	56
E-Stop Connector	56
MCP / E-Stop Interface	57
Digital Input and Output Signals	58
Digital Input Signals	58
Digital Output Signals	59
IO in Base of Robot (GIO)	60
Ethernet Interface	62
RS-232 Serial Interface	62
6. Software Reference	64
Accessing the Web Server	64
Loading a Project (Program) or Updating PAC Files	66
Recovering from Corrupted PAC Files	68
Command Server	70
G1400B Dedicated Digital Outputs	71
Appendices	72
Appendix A: Product Specifications	73
Appendix B: Spare Parts List	75
Appendix C: Environmental Specifications	76
Appendix D: Preventative Maintenance	77
Appendix E: Verification of PreciseFlex 3400 Collision Forces	79
ISO TS 15066 Test Results, Transient Contact	79
ISO TS 15066 Test Results, Quasi-Static Contact	79
Appendix F: Table A2 from ISO/TS 15066: 2016, Biomechanical Limits	81
Appendix G: Safety Circuits for PreciseFlex 3400 3 kg Payload	83
Appendix H: Torque Values for Screws	85

1. Safety

Safety Setup

Brooks uses caution, warning, and danger labels to convey critical information required for the safe and proper operation of the hardware and software. Read and comply with all labels to prevent personal injury and damage to the equipment.

 DANGER Read the Safety Chapter	
<p>Failure to review the <i>Safety</i> chapter and follow the safety warnings can result in serious injury or death.</p> <ul style="list-style-type: none">• All personnel involved with the operation or maintenance of this product must read and understand the information in this safety chapter.• Follow all applicable safety codes of the facility as well as national and international safety codes.• Know the facility safety procedures, safety equipment, and contact information.• Read and understand each procedure before performing it.	

Authorized Personnel Only

This product is intended for use by trained and experienced personnel. Operators must comply with applicable organizational operating procedures, industry standards, and all local, regional, national, and international laws and regulations.

Explanation of Hazards and Alerts

This manual and this product use industry standard hazard alerts to notify the user of personal or equipment safety hazards. Hazard alerts contain safety text, icons, signal words, and colors.

Safety Text

Hazard alert text follows a standard, fixed-order, three-part format.





- Identify the hazard
- State the consequences if the hazard is not avoided
- State how to avoid the hazard.

Safety Icons

- Hazard alerts contain safety icons that graphically identify the hazard.
- The safety icons in this manual conform to ISO 3864 and ANSI Z535 standards.

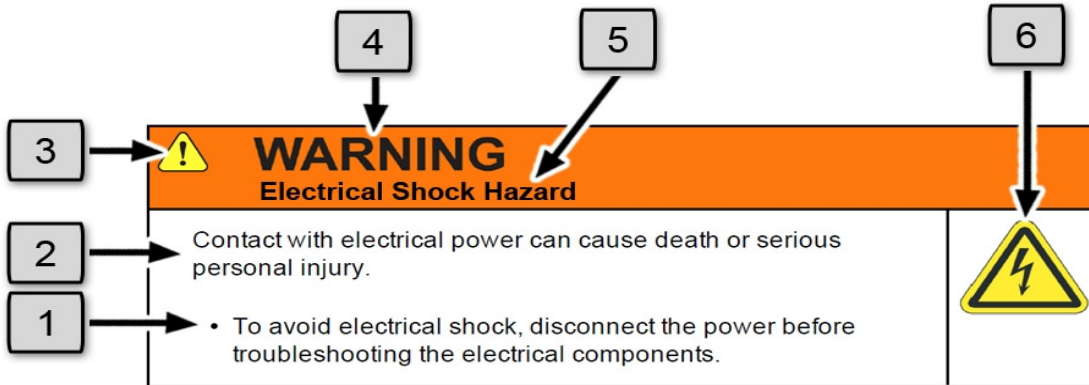
Signal Words and Color

Signal words inform of the level of hazard.

	<p>Danger indicates a hazardous situation which, if not avoided, will result in serious injury or death.</p> <p>The Danger signal word is white on a red background with an exclamation point inside a yellow triangle with black border.</p>
	<p>Warning indicates a hazardous situation which, if not avoided, could result in serious injury or death.</p> <p>The Warning signal word is black on an orange background with an exclamation point inside a yellow triangle with black border.</p>
	<p>Caution indicates a hazardous situation or unsafe practice which, if not avoided, may result in minor or moderate personal injury.</p> <p>The Caution signal word is black on a yellow background with an exclamation point inside a yellow triangle with black border.</p>
	<p>Notice indicates a situation or unsafe practice which, if not avoided, may result in equipment damage.</p> <p>The Notice signal word is white on blue background with no icon.</p>




Alert Example



The following is an example of a Warning hazard alert.







Number	Description
1.	How to Avoid the Hazard
2.	Source of Hazard and Severity
3.	General Alert Icon
4.	Signal Word
5.	Type of Hazard
6.	Hazard Symbol(s)



General Safety Considerations



 WARNING Software	
<p>Software is not safety rated. Unplanned motion can occur as long as power is supplied to the motors. Maximum torque could be momentarily applied that may cause equipment damage or personal injury.</p> <ul style="list-style-type: none">• Only operate the robot with its covers installed.• Guarantee that safety controller features are in place (for example, an emergency stop button and protective stop).• Regularly test safety components to prove that they function correctly.	 



 WARNING Robot Mounting	
<p>Before applying power, the robot must be mounted on a rigid test stand, secure surface, or system application. Improperly mounted robots can cause excessive vibration and uncontrolled movement that may cause equipment damage or personal injury.</p> <ul style="list-style-type: none">• Always mount the robot on a secure test stand, surface, or system before applying power.	



 WARNING Do Not Use Unauthorized Parts	
<p>Using parts with different inertial properties with the same robot application can cause the robot's performance to decrease and potentially cause unplanned robot motion that could result in serious personal injury.</p> <ul style="list-style-type: none">• Do not use unauthorized parts.• Confirm that the correct robot application is being used.	

 WARNING Magnetic Field Hazard	
<p>This product contains magnetic motors that can be hazardous to implanted medical devices, such as pacemakers, and cause personal harm, severe injury, or death.</p> <ul style="list-style-type: none"> • Maintain a safe working distance of 30 cm from the motor when with an energized robot if you use a cardiac rhythm management device. 	



 CAUTION Unauthorized Service	
<p>Personal injury or damage to equipment may result if this product is operated or serviced by untrained or unauthorized personnel.</p> <ul style="list-style-type: none"> • Only qualified personnel who have received certified training and have the proper job qualifications are allowed to transport, assemble, operate, or maintain the product. 	


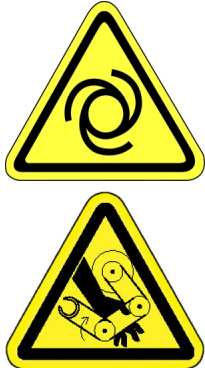
 CAUTION Damaged Components	
<p>The use of this product when components or cables appear to be damaged may cause equipment malfunction or personal injury.</p> <ul style="list-style-type: none"> • Do not use this product if components or cables appear to be damaged. • Place the product in a location where it will not get damaged. • Route cables and tubing so that they do not become damaged and do not present a personal safety hazard. 	



 CAUTION Inappropriate Use	
<p>Use of this product in a manner or for purposes other than for what it is intended may cause equipment damage or personal injury.</p> <ul style="list-style-type: none"> • Only use the product for its intended application. • Do not modify this product beyond its original design. • Always operate this product with the covers in place. 	

 CAUTION Seismic Restraint	
<p>The use of this product in an earthquake-prone environment may cause equipment damage or personal injury.</p> <ul style="list-style-type: none">• The user is responsible for determining whether the product is used in an earthquake prone environment and installing the appropriate seismic restraints in accordance with local regulations.	

Mechanical Hazards



 CAUTION Pinch Point	
<p>Moving parts of the product may cause squeezing or compression of fingers or hands resulting in personal injury.</p> <ul style="list-style-type: none">• Do not operate the product without the protective covers in place.	



 WARNING Automatic Movement	
<p>Whenever power is applied to the product, there is the potential for automatic or unplanned movement of the product or its components, which could result in personal injury.</p> <ul style="list-style-type: none">• Follow safe practices for working with energized products per the facility requirements.• Do not rely on the system software or process technology to prevent unexpected product motion.• Do not operate the product without its protective covers in place.• While the collaborative robotics system is designed to be safe around personnel, gravity and other factors may present hazards and should be considered.	



 CAUTION Vibration Hazard	
<p>As with any servo-based device, the robot can enter a vibratory state resulting in mechanical and audible hazards. Vibration indicates a serious problem. Immediately remove power.</p> <ul style="list-style-type: none"> • Before energizing, ensure the robot is bolted to a rigid metal chamber or stand. 	

Electrical Hazards

Refer to the specifications of the *Guidance Controller Quick Start Guide* for the electrical power.



 DANGER Electrical Shock Hazard	
<p>Contact with electrical power can cause personal harm and serious injury.</p> <ul style="list-style-type: none"> • To avoid electrical shock, disconnect the power before troubleshooting the electrical components. • Check the unit's specifications for the actual system power requirements and use appropriate precautions. • Never operate this product without its protection covers on. 	



 WARNING Electrical Burn	
<p>Improper electrical connection or connection to an improper electrical supply can result in electrical burns resulting in equipment damage, serious injury, or death.</p> <ul style="list-style-type: none"> • Always provide the robot with the proper power supply connectors and ground that are compliant with appropriate electrical codes. 	



 WARNING Electrical Fire Hazard	
<p>All energized electrical equipment poses the risk of fire, which may result in severe injury or death. Fires in wiring, fuse boxes, energized electrical equipment, computers, and other electrical sources require a Class C extinguisher.</p> <ul style="list-style-type: none">• Use a fire extinguisher designed for electrical fires (Class C in the US and Class E in Asia).• It is the facility's responsibility to determine if any other fire extinguishers are needed for the system that the robot is in.	

NOTICE	
<p>Improper handling of the power source or connecting devices may cause component damage or equipment fire.</p> <ul style="list-style-type: none">• Connect the system to an appropriate electrical supply.• Turn off the power before servicing the unit.• Turn off the power before disconnecting the cables.	

Ergonomic Hazards



 CAUTION Heavy Lift Hazard	
<p>Failure to take the proper precautions before moving the robot could result in back injury and muscle strain.</p> <ul style="list-style-type: none">• Use a lifting device and cart rated for the weight of the drive or arm.• Only persons certified in operating the lifting device should be moving the product.	

 CAUTION Tipover Hazard	
<p>This product has a high center of gravity which may cause the product to tip over and cause serious injury.</p> <ul style="list-style-type: none">• Always properly restrain the product when moving it.• Never operate the robot unless it is rigidly mounted.	

 CAUTION Trip Hazard	
<p>Cables for power and communication and facilities create trip hazards which may cause serious injury.</p> <ul style="list-style-type: none">• Always route the cables where they are not in the way of traffic.	

Emergency Stop Circuit (E-Stop)

The integrator of the robot must provide an emergency stop switch.

 WARNING Emergency Stop Circuit	
<p>Using this product without an emergency stop circuit may cause personal injury.</p> <ul style="list-style-type: none">• Customer is responsible for integrating an emergency stop circuit into their system.• Do not override or bypass the emergency stop circuit.	

Recycling and Hazardous Materials

Brooks Automation complies with the EU Directive 2002/96/EU Waste Electrical and Electronic Equipment (WEEE).

The end user must responsibly dispose of the product and its components when disposal is required. The initial cost of the equipment does not include cost for disposal. For further information and assistance in disposal, please email Brooks Automation Technical Support at support@preciseflex@brooksautomation.com.

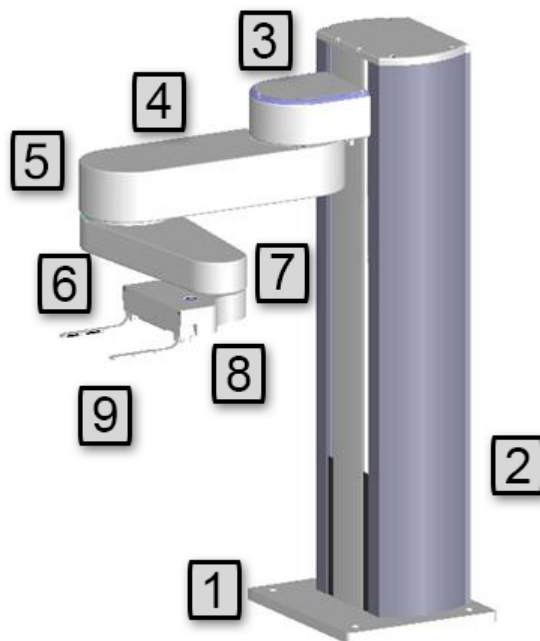
2. Overview

The PreciseFlex 3400 is at the forefront of human-robot collaboration with advanced features that ensure both functionality and safety for seamless collaboration with humans. This versatile robot, with its wide range of applications, can be seamlessly integrated into various industrial settings. The PreciseFlex 3400 is designed for adaptability with optional accessories, such as a linear rail for extended reach and flexibility and a servo gripper for enhanced gripping capabilities.

This user manual provides comprehensive guidance on operating and optimizing the PreciseFlex 3400 to ensure a smooth and productive integration into your workspace.

NOTE: See [Robot Anatomy](#) for additional detailed illustrations.

The PreciseFlex 3400 Robot is a 4-axis robot that may optionally include an electric or pneumatic gripper.

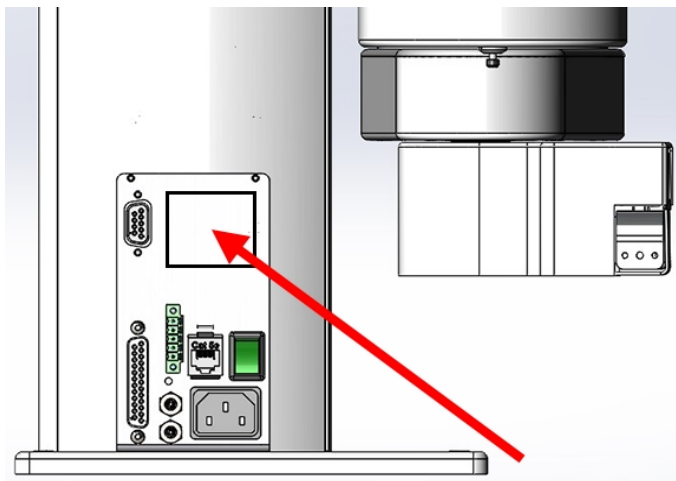


PreciseFlex 3400 Robot

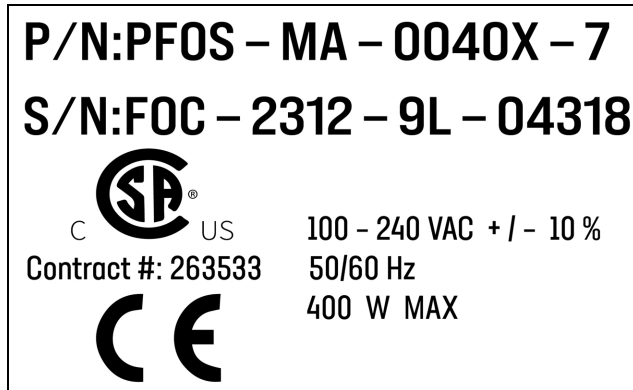
Number	Name	Description
1	Base Plate	Plate to attach robot to table
2	Z Column	Vertical column
3	Shoulder	Moves up and down column, rotates Inner Link
4	Inner Link	Inner Link
5	Elbow	Joint between Inner and Outer Links
6	Outer Link	Outer Link
7	Wrist	Joint between Outer Link and Gripper
8	Gripper	Gripper mechanism
9	Fingers	Fingers for grasping Titer Plates

Explanation of the Product Label

The Product Label is on the robot interface panel at the base of the robot. Use the following sections to decode the Part Number and Serial Numbers .



Product Label at the Base of the Robot



Sample Robot Product Label

Example Sections from the Product Label

P/N:PFOS – MA – 0040X – 7

In the example above, the first line of the label -- Product Number (P/N) -- describes these properties of its product.

- PFOS = PreciseFlex F400 (with Servo Gripper)
- MA = Machine Assembly
- 0040 = PreciseFlex 400
- X = Extended reach
- 7 = 750 mm Z Stroke
- <None> = Not Low Voltage

Refer to the [P/N - Part Number](#) table for detailed information about the Product Number naming scheme.

S/N:FOC – 2312 – 9L – 04318

In the example above, the second line of the label -- Serial Number (S/N) -- describes these properties of its product:

- F0C = PreciseFlex 400
- 23 = Two-Digit Year Code
- 12 = Two-Digit Month Code
- 9L = Revision
- 04318 = Robot Unit Build Number

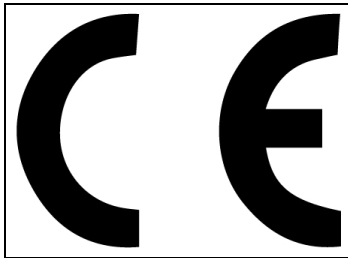
Refer to the [Explanation of the Product Label](#) table for detailed information about the Serial Number naming scheme.



The symbol for the [CSA Group Standards Organization](#). See [Standards Compliance and Agency Certifications](#) for more information.

Contract #: 263533

Brooks Automation's Contract ID within the CSA Group



The [CE Marking](#) affirms compliance with relevant EU legislation. See [Standards Compliance and Agency Certifications](#) for more information.

A	100 - 240 VAC + / - 10 %
B	50/60 Hz
C	400 W MAX

Robot Power Requirements

Letter	Description
A	Robot power voltage requirements.
B	Robot power frequency requirements
C	Robot power maximum draw

P/N - Part Number

The robot part number follows the scheme: **AAAA-BB-CCCCD-EFF**. Refer to the table below to decode this scheme.

AAAA	
CODE	PRODUCT
PP00	PrecisePlace 100
PP0S	PrecisePlace 100 (w/ Servo Gripper)
PF0S	PreciseFlex 400
PF30	PreciseFlex 3400
PFD0	Direct Drive Robot
PFC0	C-Series
PF0X	Linear Rail
BB	
CODE	TYPE
MA	Machine Assembly
CCCC	
CODE	TYPE
PF0S	0040 = PreciseFlex 400

PF30	0040 = PreciseFlex 3400
PFD0	0040 = Direct Drive 4 0060 = Direct Drive 6
D	
CODE	ARM LENGTH
0 / S	Standard
X / L	Extended / Long
E	
NUMBER	AXIS SIZE
4	400 mm Z Stroke
7	750 mm Z Stroke
12	1160 mm Z Stroke
10	1.0 m rail
15	1.5 m rail
20	2.0 m rail
FF (Optional)	
CODE	Description
LV	Low Voltage

Serial Number (SN)

The robot serial number follows the scheme: **AAA** - **BBCC** - **EF**-**GGGG**. Refer to the table below to decode this scheme.

AAA	
CODE	MODEL
P00	PrecisePlace 100
P0S	PrecisePlace 100 (w/ Servo Gripper)
F0C/F0X	PreciseFlex 400
F3C	PreciseFlex 3400
FC0	C-Series
FXB	Linear Rail
BBCC	

CODE	MFG DATE CODE (START DATE)
BB	Two-Digit Year Code
CC	Two-Digit Month Code
EF	
Code	Rev Code
E	Major Rev Code
F	Minor Rev Code Valid for Rev Code 9J and up
GGGGG	
G	Sequential Production Number

Facilities Panel

The Facilities Panel is located at the base of the robot.

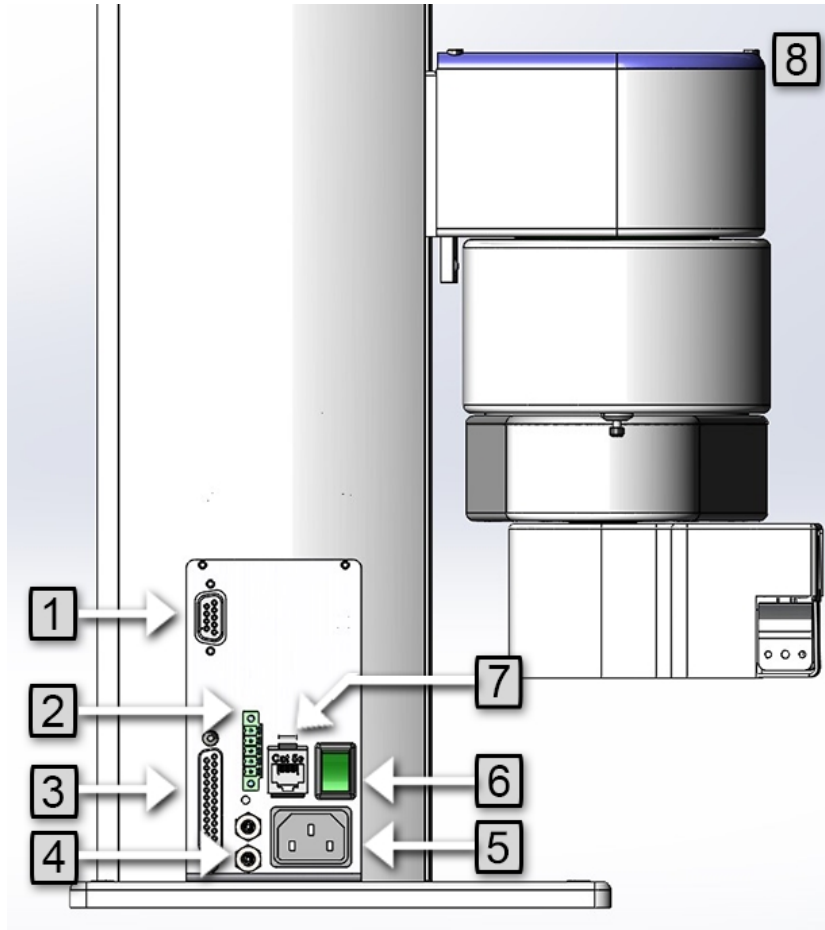


Figure 2-1: Facilities Panel

Table 2-1: Facilities Panel key



Annotation	Name	Description
1	9 Pin2 D Sub Connector	Contains RS-232 Serial Port, 24 VDC, Ground can be used for optional teach pendant
2	E-stop Connector	E-stop and Cell Interlock Signals.
3	25 Pin D Sub Connector	For GIO module, 8 inputs, 8 outputs
4	Pneumatic Ports	For attaching air lines for optional pneumatic gripper. See the <i>PreciseFlex Servo Grippers</i> user manual.
5	Power Entry Module	For IEC plug. Contains dual fuse drawer.
6	Power Switch	Lighted Power Switch
7	Ethernet Connector	For Ethernet to Computer Cable

Annotation	Name	Description
8	Status Light	A blinking light indicates the normal state, a solid light indicates an error, and no light indicate a possible issue with the controller.



To simplify interfacing, most of the electrical interfaces provided by the robot's embedded Guidance Controller are available on the Facilities Panel. These include:

- [Digital input signals](#)
- [Digital output signals](#)
- [Ethernet port](#)
- [Remote Front Panel / MCP / E-Stop](#)
- [RS-232 serial interface](#)

Each of these interfaces is described in detail in the following sections. In addition, the robot's controller, which is mounted in the inner link of the robot, may contain additional interfaces (e.g. inputs or outputs). Refer to the *Guidance 1000A/B Controllers*, hardware introduction and reference manual for additional information.

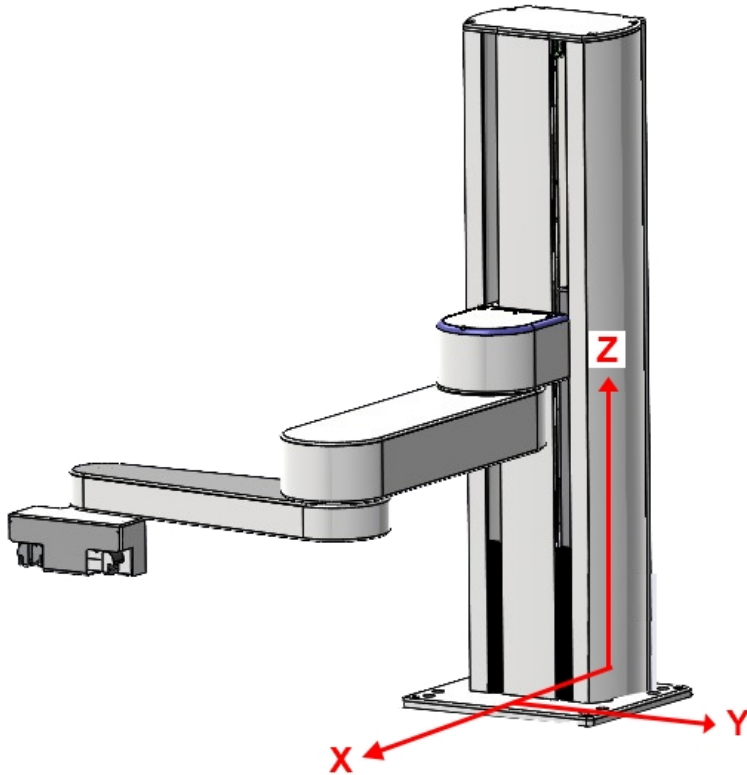
 DANGER High Voltage	
<p>The Guidance 1400B controller, and the 24 VDC and 48 VDC power supplies are all open frame electrical devices that contain unshielded high voltage pins, components and surfaces. The main AC power should always be disconnected before the Facilities Panel is removed.</p>	

If the pneumatic gripper option is ordered, two air lines are routed through the interior of the robot. At the Facilities Panel, these air lines are presented in a fitting on a sub plate mounted to the facilities panel. The other end of these lines exit at the Outer Link. When using these lines, clean, dry external air should be provided.

 CAUTION High Pressure Air	
<p>The maximum air pressure that can be conveyed by the air lines through the robot is 75 PSI. Applying a pressure exceeding this level may disconnect interior connections or damage fittings or hoses. If a higher pressure is required, an external air line should be utilized.</p>	

World Coordinates, Joint Directions, and Tool Coordinates

The World Coordinate System's origin is the center of the robot base with Z Pointing up parallel with the Z Column and the X axis Pointing Forward in the same direction as the Shoulder. Note this may change when the robot is on a linear rail. See the *Linear Rail User Manual* for more information.



World Coordinates for X, Y, and Z Axes

The robot by default has four joints but it can be extended up to six joints via servo gripper and Linear Rail.

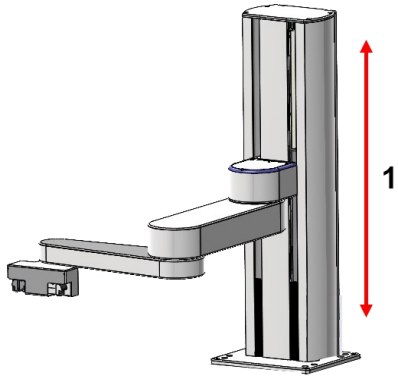
The first axis of the robot, J1, moves the robot arm up along the Z Column. At the robot's lowest position is zero. Positive travel moves the arm up.

The second axis of the robot, J2, pivots the remaining link about the shoulder. When the first link is pointing straight out, J2 is in its zero position. Looking down on the robot, counter-clockwise rotation is in Positive J2 motion.

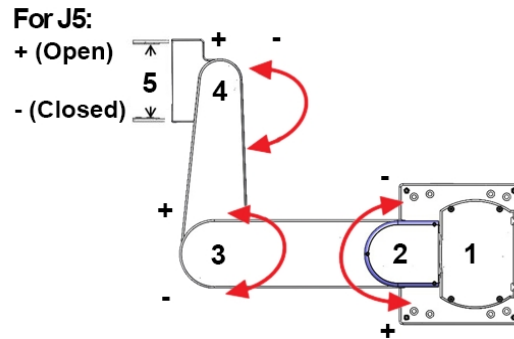
The third axis of the robot, J3, pivots the remaining link about the elbow. When the second link is pointing straight towards the Z Column, J3 is in its zero position. Looking down on the robot, counter-clockwise rotation is in Positive J3 motion.

The fourth axis of the robot, J4, pivots the end effector about the wrist. When the end effector is pointing straight toward the elbow, J4 is in its zero position. Looking down on the robot, counter-clockwise rotation is in positive J4 motion.

The fifth axis of the robot, J4, opens and closes the servo gripper. Positive motion opens the gripper and negative motion closes the gripper. Zero position is beyond the robot's range of motion.



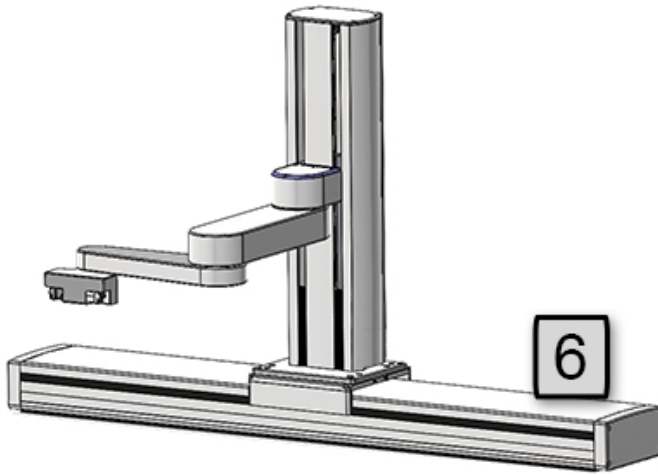
Vertical Direction for J1



Joint Directions for J2 - J5

Number	Axis	Description of Joint Directions
1.	Z column	Joint 1 (J1). The positive (+) stroke moves up the robot column, and the negative (-) stroke moves down the robot column. The distance depends on the robot model.
2.	Shoulder	Joint 2 (J2). Rotates.
3.	Elbow	Joint 3 (J3). Rotates.
4.	Wrist	Joint 4 (J4). Rotates. With an ISO Tool Flange, rotation is limited to a single rotation, but with a PreciseFlex servo gripper, rotation is multi-turn. See the <i>PreciseFlex Servo Grippers</i> user manual for more information.
5.	Gripper	Joint 5 (J5). Optional PreciseFlex Servo Gripper. The positive (+) direction opens the gripper and the negative (-) direction closes the gripper. See the <i>PreciseFlex Servo Grippers</i> user manual for more information.

Joint 6 is the optional Linear Rail.

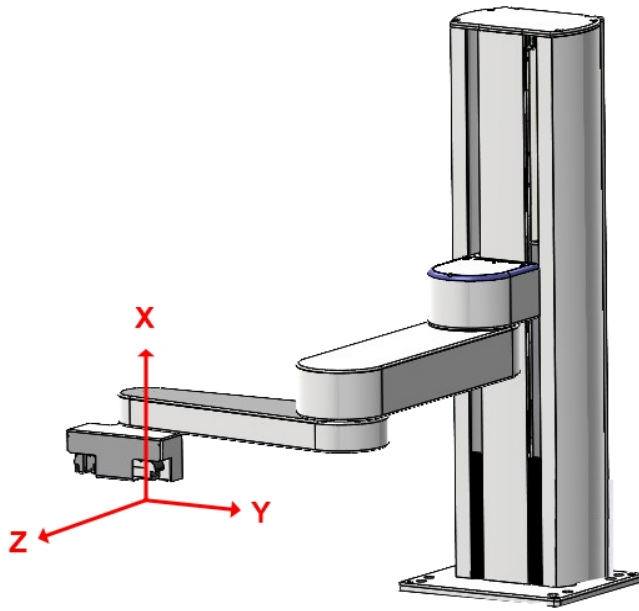


Joint 6

A light bar is mounted at the top of the shoulder cover (or column for some robots) and blinks at a rate of once per second to indicate that the controller is operational, and it blinks at a rate of 4 times per second when power is being supplied to the motors.

The Z axis includes a fail-safe brake. This brake must be released to move the Z axis up and down manually. There is a manual brake release button on the bottom of the inner link near the Z axis. Depressing this button when 24 VDC power is on will release the Z axis brake while the button is depressed. It is not necessary for the control system to be operating for the brake release to function; the only requirement is providing 24 VDC to the controller. Care should be taken to support the Z axis when the brake release button is pushed as the axis will fall due to gravity.

For the tool coordinates (see the image below), whatever direction the fingers point is the tool Z direction, while the tool X direction is pointing in the same direction as the world Z axis.



Tool Coordinates

Compatible Accessories

Compatibility	
23 N Servo Gripper	X
23 N Dual Servo Gripper	X
60 N Servo Gripper	X
23 N Vision Servo Gripper	X
60 N Vision Servo Gripper	X
Linear Rail – 1 M	X
Linear Rail – 1.5 M	X
Linear Rail – 2 M	X

Optional Linear Axis Module

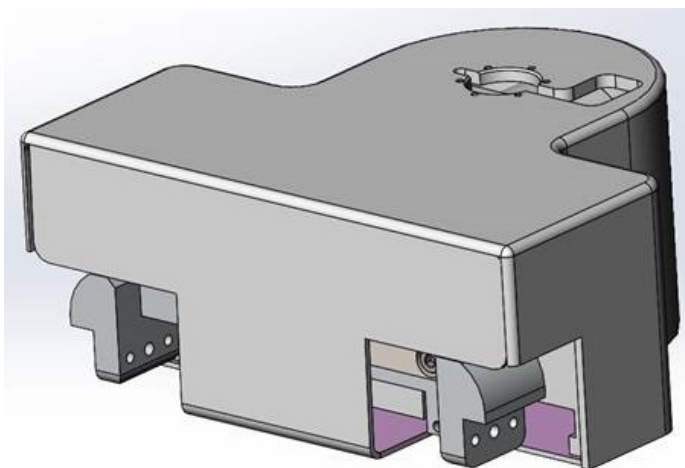
The PreciseFlex 3400 robot may be attached to an optional Linear Axis Module. The Linear Axis Module may be ordered in 1000 mm, 1500 mm and 2000 mm travel distances. See the *Linear Axis User Manual* for more information.



Figure 2-2: 750 mm Vertical Travel PreciseFlex 3400 on a 1000 mm Linear Axis Module

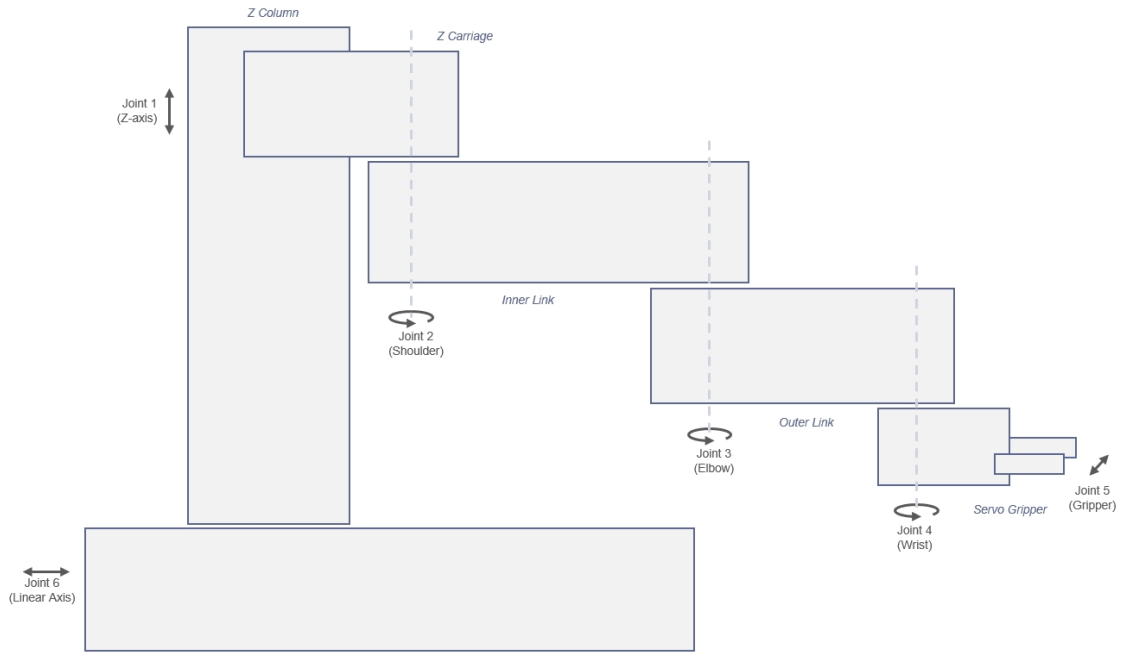
Optional Gripper

The robot may be ordered with an optional electric Gripper. See the manual *PreciseFlex Servo Grippers*.

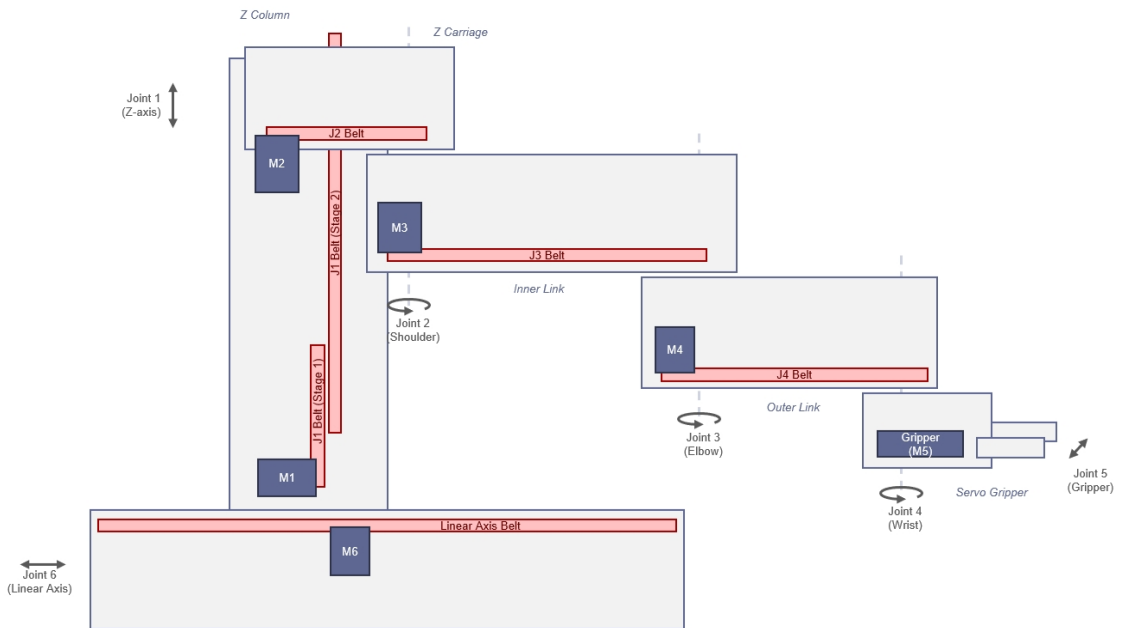


60 Newton Gripper for a PreciseFlex 3400 Robot

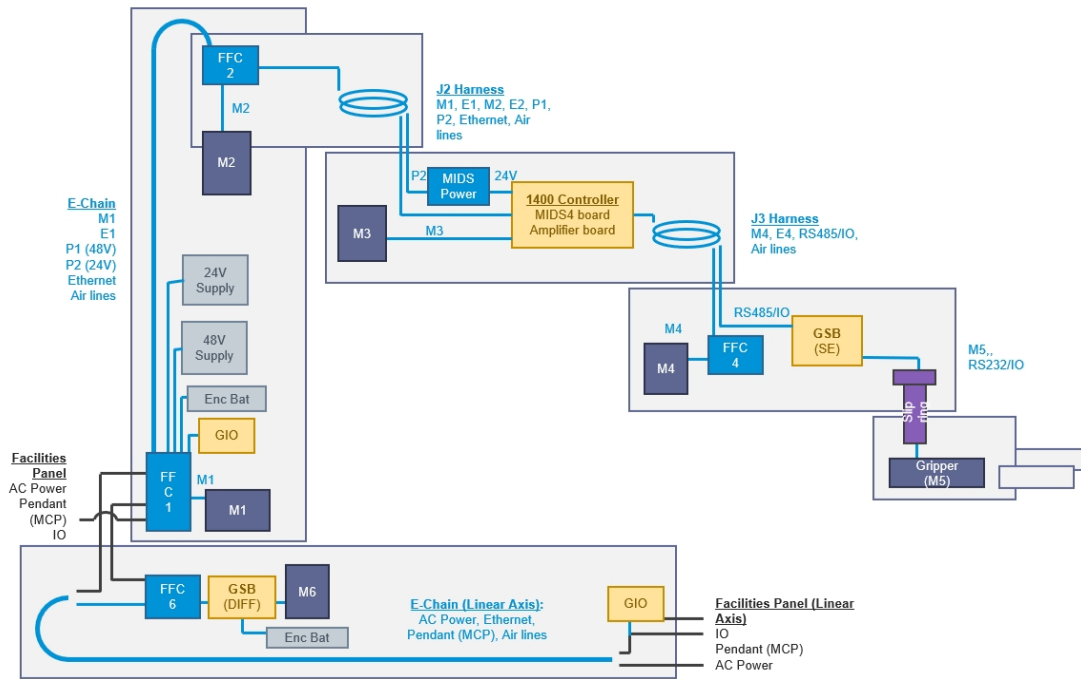
Robot Anatomy



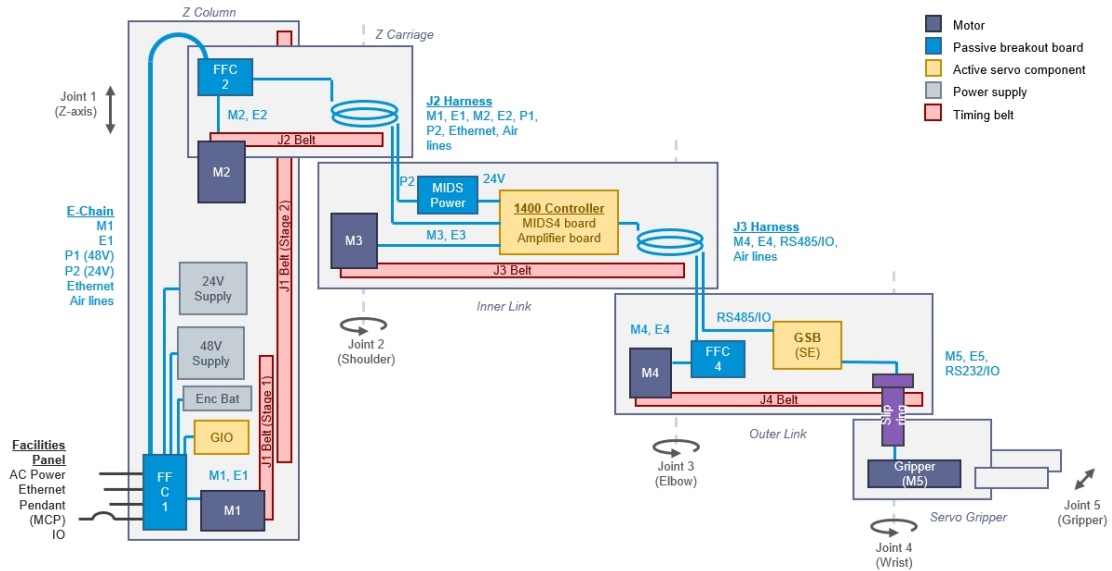
Joints



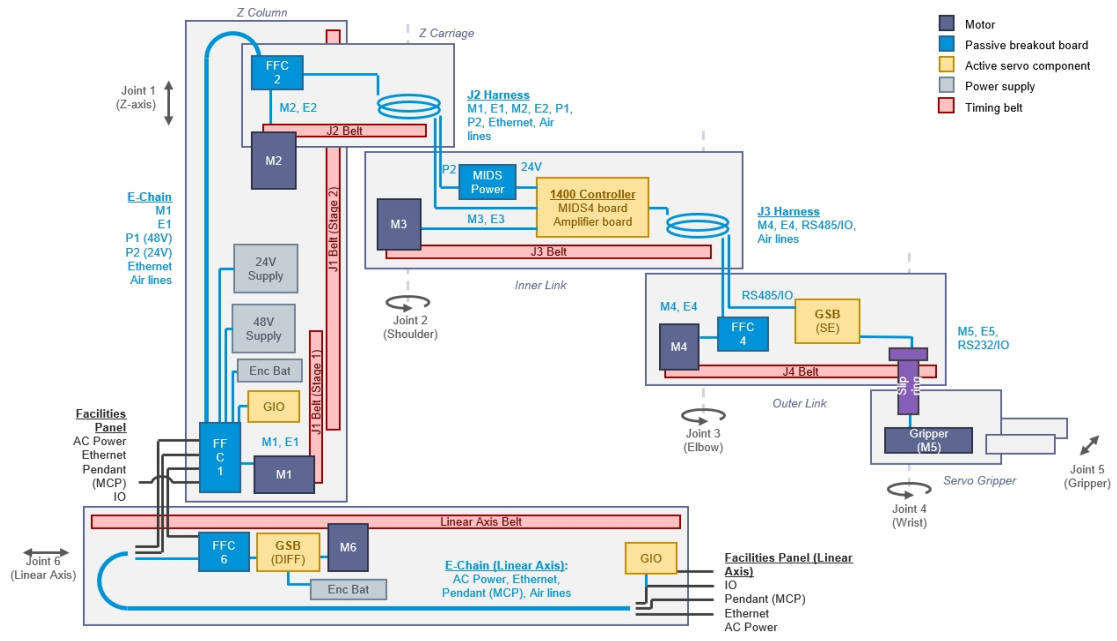
Belt Drives



Power



Anatomy without a Rail



Anatomy with a Rail

3. Introduction to the Hardware

System Description and Overview

NOTE: See [Robot Anatomy](#) for detailed illustrations.

The PreciseFlex 3400 Robot is a four-axis robot that includes an embedded Guidance 1400B four-axis motion controller, a 48 VDC motor power supply, and a 24 VDC logic power supply located inside the base of the robot. In addition, it may optionally include an electric gripper and electric gripper controller. See the *PreciseFlex Servo Grippers* user manual.

The Z-axis of this robot is available with a standard travel of 400 mm and an optional travel of 750 mm and 1160 mm. The robot is designed as tabletop unit and can carry a payload of up to 2.5 kg without a gripper. These robots are low cost, extremely quiet and smooth, very reliable, and have excellent positioning repeatability. To achieve these results, the axes are powered by brushless DC motors with absolute encoders. With these characteristics, these robots are ideal for automating applications in the Life Sciences, Medical Products, Semiconductor, and Electronics industries.

A number of communications and hardware interfaces are provided with the basic robot. These include an RS-232 serial interface, an RS-485 serial interface, an Ethernet interface, and a number of digital input and output lines. In addition, the robot can be purchased with several types of optional PreciseFlex peripherals. These include digital cameras, remote I/O, and a hardware manual control pendant.

The controller is programmed by means of a PC connected through Ethernet. There are three programming modes: a Digital IO (PLC) mode, an Embedded Language mode, and a PC Control mode. When programmed in the PLC or Embedded Language mode, the PC can be removed after programming is completed and the controller will operate standalone. The PC is required for operation in the PC Control mode.

In all modes of operation, the controller includes a web based operator interface. This interface is used for configuring the system, starting and stopping execution, and monitoring its operation. The web interface can be accessed locally using a browser or remotely via the Internet. This remote interface is of great benefit in system maintenance and debugging.

The optional machine vision system, PreciseVision, can execute in a PC connected through Ethernet. PreciseVision requires cameras connected via Ethernet or USB, allowing any processor

on the network to obtain and process information from any camera on the network, and provide the results to any networked motion controller.

The PreciseFlex 3400 has a rated payload of 3 kg without a gripper. The 3 kg payload includes the gripper. For example, the optional 60 N Electric Gripper weighs 1 kg, so with this gripper the workpiece payload is 2 kg. See the *PreciseFlex Servo Grippers* user manual.

Note that for the PreciseFlex 3400, it is important to set the correct value for the payload in the Dynamic Feed Forward parameter 16071 (or use the GPL “Robot.Payload” property). 100% equals 3 kg for the gripper and payload mass. For lighter masses, this value should be reduced. Setting the payload correctly is important both for optimal dynamic performance of the robot and also for proper gravity compensation, including “free” mode.

Also, it is important to set the correct offset distance in value 5 of parameter 16068, in mm, for the distance of the center of mass of the gripper and payload from the J4 axis of rotation. For example, if the center of a 2 kg mass is 100 mm from the center of rotation of axis 4 (the wrist), this value should be set to 100 mm, for the Dynamic Feed Forward calculations to compute the correct feed forward motor torques and achieve optimal performance. For pick and place applications, the property “robot.payload” can be written by the application program to change the payload. Note that when setting the payload and gripper payload offset parameters in the database, these values must be entered, saved to flash, and the controller must be re-booted for them to take effect.

The PreciseFlex 3400 has:

- 8 inputs and 8 outputs available at the base connector panel in a 25 pin Dsubminiature connector
- 4 digital outputs and up to 2 digital inputs available in the outer link when the pneumatic version is ordered.

The PreciseFlex 3400 is nominally quoted and shipped with:

- a standard ISO flange
- a single solenoid valve mounted in the outer link for users to add pneumatic or vacuum grippers of their design.

You can also order these products:

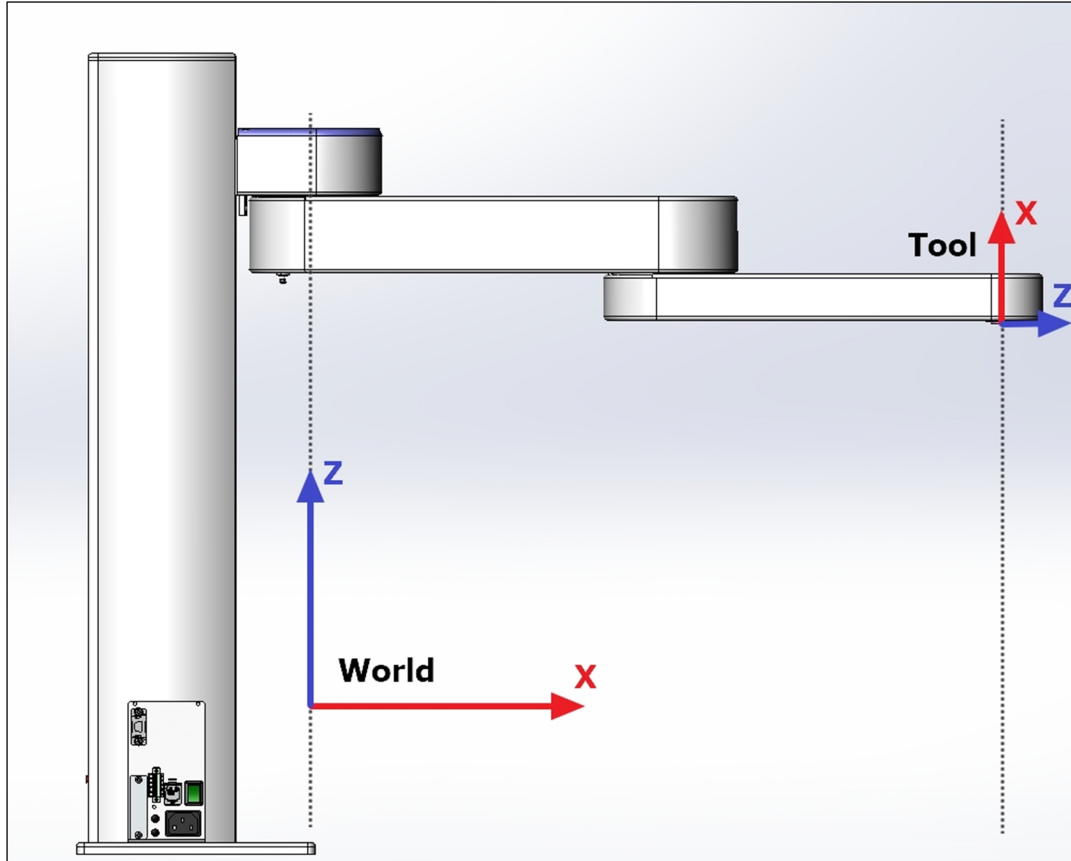
- a solenoid
- a 60 N squeeze 40 mm travel electric gripper
- a dual 23 N squeeze 60 mm electric gripper.

See the *PreciseFlex Servo Grippers* user manual for more information about grippers. Also see [System Dimensions](#) for reference dimensions.

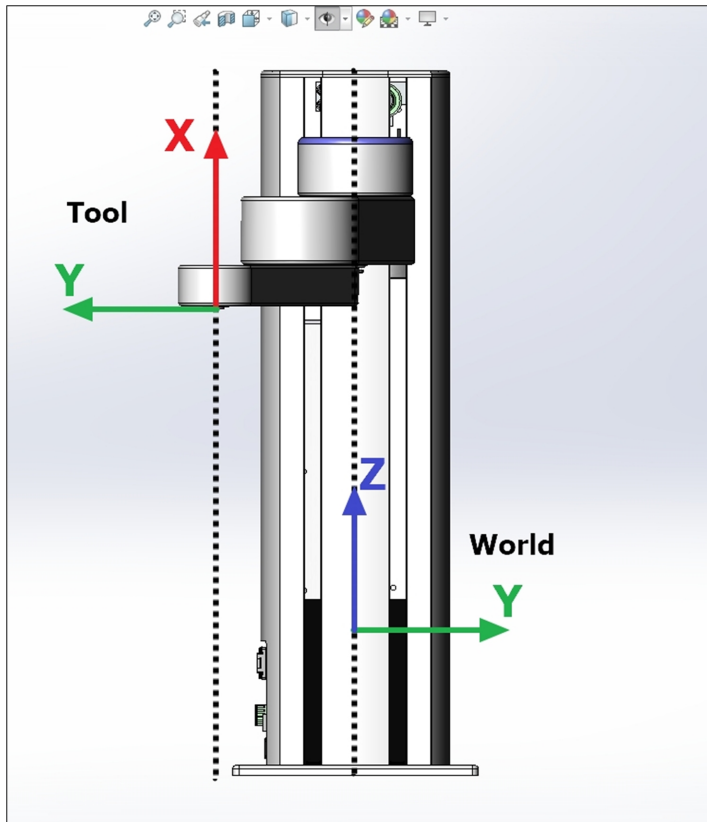
System Diagram and Coordinate System

The robot has two important coordinate systems, World and Tool. The World system is the base coordinate system that everything else is based off of and the tool coordinate system is a transform

from the World coordinate system to the robots tool center point. See the graphics below.



Robot Coordinate Systems (PF400 Example)



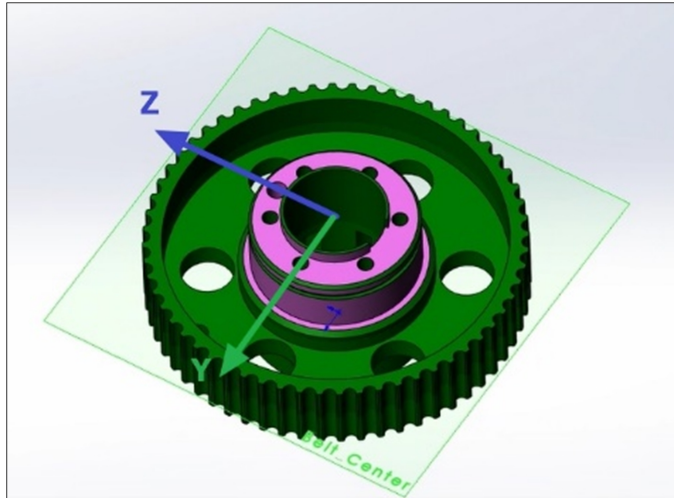
Robot Coordinate Systems (PF400 Example)

World Origin

The center of the World coordinate system is called the World Origin. It is commonly referred to as World (0,0,0,0,0,0) location. The location can be found where the centerline of the robot's first rotary joint intersects the plane of the robot's tool flange when the Z carriage is at its lowest point against the hard stop. This location is different for each and every robot model.

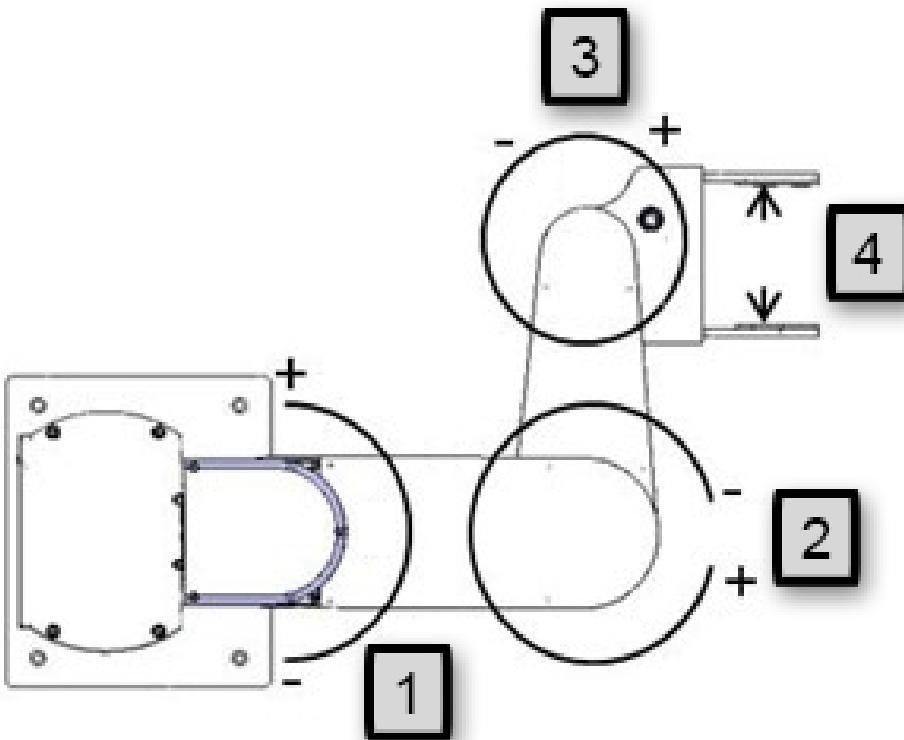
Tool Origin

The center of the Tool coordinate system is called the Tool Origin. The tool origin, commonly referred to as Tool (0, 0, 0, 0, 0, 0) location, can be found where the center of the wrist rotary axis intersects the robot tool flange, and moves with the robot. The Z axis points towards the alignment dowel pin, while the X axis points up the rotary axis.



The Tool Origin with Respect to the Final Drive Pulley (PF400 Example)

Robot joint motion



Example with Four-Axes Robots

Number	Axis	Description of Motion
1.	Shoulder	Rotates 180°

Number	Axis	Description of Motion
2.	Elbow	Rotates 334°
3.	Wrist	Rotates +/- 970°
4.	Gripper	Opens from 77 mm to 133 mm. Positive (+) opens, and negative (-) closes.

The first axis of the robot, J1, moves the robot arm up along the Z Column, which is the Z-axis. When inner link is closest to the bottom, the Z-axis is at its 0 position in the Joint Coordinate system and Z=30 mm in the World Coordinate system. As the robot arm moves upwards, both its joint position and the World Z Coordinate increase in value.

The Z column also contains the 24 VDC and 48 VDC power supplies and the connector panel. The Guidance controller is located inside the inner link of the robot, and the gripper controller is located inside the outer link.

When the Inner Link is centered on its range of motion the J2 axis is at its 0 joint angle. A positive change in the axis angle results in a positive rotation about the World Z-axis.

The J3 rotary axis (elbow) rotates the outer link about the world Z-axis. A positive change in the axis angle results in a positive rotation about the World Z-axis. When the link is centered, it is at its 0 joint angle, however there is a hard stop at 10 degrees, so the link cannot reach the center position. The outer link can rotate underneath the inner link, allowing the robot to change configuration from a “left hand” robot to a “right hand” robot without swinging the J3 axis (elbow) through the zero position. This allows the robot to work in very compact workcells.

The J4 rotary axis (wrist) rotates the gripper about the World Z-axis. A positive change in the axis angle results in a positive rotation about the World Z-axis.

The outer link may include a gripper controller that provides control of the optional electric gripper. It is also possible to order the robot with a pneumatic gripper, in which case the outer link will house a solenoid to control air to the pneumatic gripper. A light bar is mounted at the top of the shoulder cover (or column for some robots) and blinks at a rate of once per second to indicate that the controller is operational and at a rate of 4 times per second when power is being supplied to the motors.

The Z-axis includes a fail-safe brake. This brake must be released to move the Z-axis up and down manually. There is a manual brake release button on the bottom of the inner link near the Z-axis. Depressing this button when 24 VDC power is on will release the Z-axis brake while the button is depressed. It is not necessary for the control system to be operating for the brake release to function; the only requirement is providing 24 VDC to the controller. Care should be taken to support the Z-axis when the brake release button is pushed, as the axis will fall due to gravity.

Mounting of Robot and Linear Axis Module

The Robot Base Plate contains a mounting hole pattern for (4) M6 screws along with reference surfaces for locating the robot on a table or work cell surface. The Linear Axis Module contains mounting patterns for both M6 and ¼-20 screws. See [Installation Information](#) for details.

Guidance 1400B Controller

The Guidance 1400B Controller is a 4-axis general purpose motion controller that contains four motor drives and four encoder inputs. It must be attached to a heat sink. The heat sink is provided by the inner link housing. The controller includes local digital IO. It also supports RS-232 and RS-485 serial communication and an optional PreciseFlexRemote IO module. It contains two Ethernet ports. The controller and power supplies are shown in the system diagram in [Figure 3-1](#).

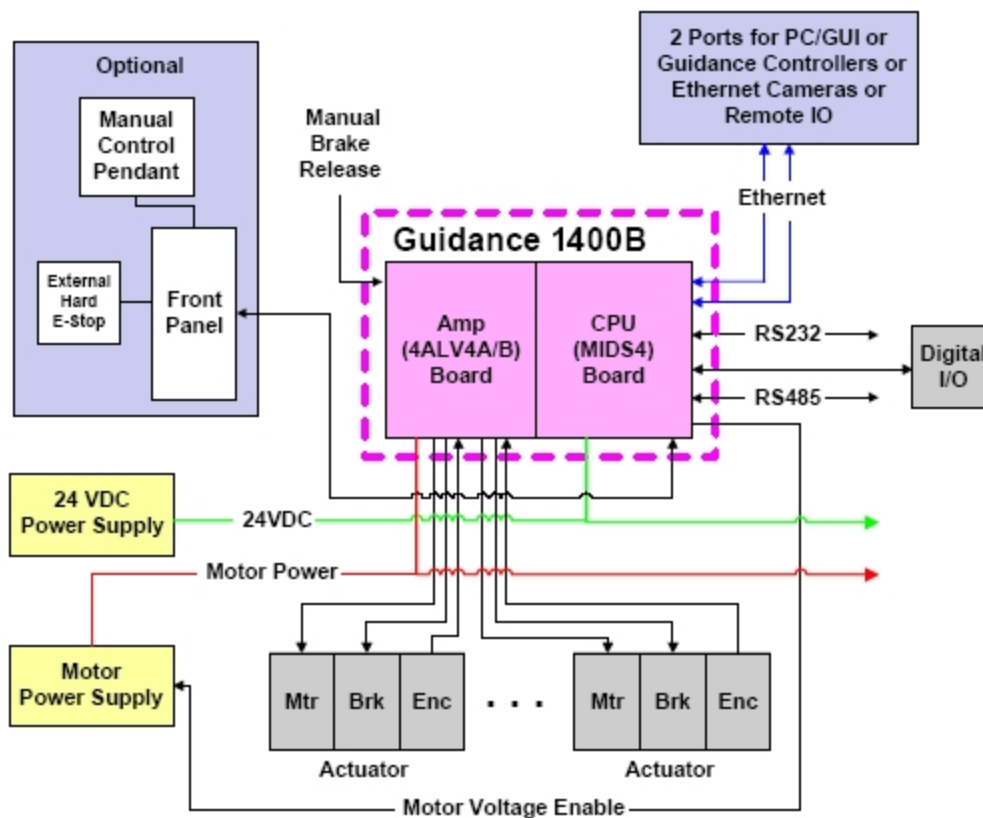




Figure 3-1: Guidance 1400B Controller System Diagram

For detailed information on the controller, including interfacing information, see the *Guidance 1000A/B Controllers* user manual.

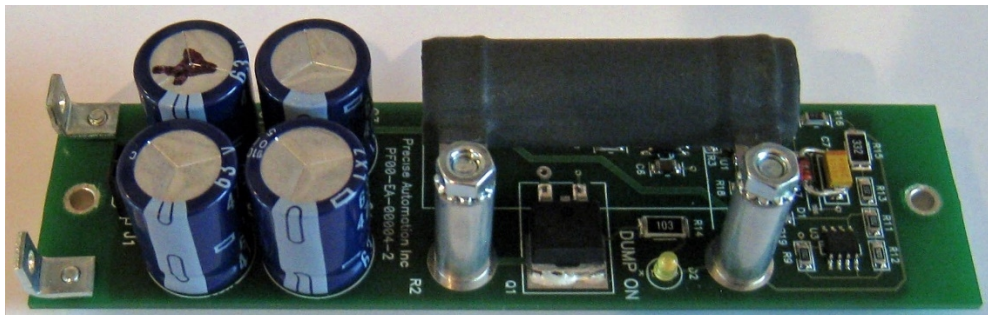
Low-Voltage Power Supplies

The PreciseFlex 3400 Robot has an integrated 125 Watt, 24 VDC Power Supply that accepts a range of AC input from single-phase 90 V to 264 V and an integrated 500 W, 48 VDC Power Supply for the motors.

 DANGER High Voltage	
<p>In addition to exposed high voltage pins and components, the heat sinks on the Power Supplies are not grounded and expose high voltage levels. AC power to the robot must be disconnected prior to accessing these units.</p>	

Energy Dump Circuit

The 48 VDC supply has a regulated output and an overvoltage protection circuit that is triggered if the voltage reaches 60 Volts. Rapid deceleration of the robot motors can generate a Back EMF voltage that can pump up the motor voltage bus. In order to avoid bus pump up, an Energy Dump Circuit is connected to the 48 VDC bus.



Energy Dump Circuit

Remote Front Panel, E-Stop Box, and Manual Control Pendant

The PreciseFlex 3400 has two optional safety accessories: an E-Stop Box and a portable Manual Control Pendant that includes an E-Stop button. The E-Stop box can be plugged into the green Phoenix connector in the connector panel in the base of the robot. See the [Facilities Panel](#). The E-Stop box completes a circuit from the top pin, Pin 1 (24 VDC) to Pin 2 (E-Stop) in this connector. If this circuit is not completed it is not possible to enable motor power to the robot.

The Manual Control Pendants (product number PP10-EP-00013) can be plugged directly into the 9-pin Dsub connector mounted on the robot's Facilities Panel in the base of the robot. If no E-Stop box or Manual Control Pendant is connected, a jumper must be connected between these two pins to enable robot motor power. For those applications where an operator must be inside the working volume of the robot while teaching, a second teach pendant with a 3-position run hold switch is available. The E-Stop connections are also present on the 9-pin Dsub connector and each of these units provides the hardware signals to permit power to be enabled and disabled.



Figure 3-2: E-Stop Box



Figure 3-3: Manual Control Pendant

Remote IO Module

For applications that require a large number of Inputs and Outputs, a PreciseFlex Remote IO (RIO) module ([Figure 3-4](#)) may be purchased. The RIO interfaces to any PreciseFlex robot and its embedded Guidance Controller via 10/100 Mb Ethernet and requires 24 VDC power. Up to 4 RIOs can be connected to a controller.

The basic RIO includes: 32 isolated digital input signals, 32 isolated digital output signals and one RS-232 serial line. An enhanced version of the RIO adds 4 analog input signals, a second RS-232 port and one RS-422/485 serial port.

The Enhanced RIO module is pictured in [Figure 3-4](#).



 WARNING Electrical Shock	
<p>The RIO contains unshielded 24 VDC signals and pins. This product is intended to be mounted in a cabinet or machine chassis that is not accessible when power is turned on.</p>	



Figure 3-4: Enhanced RIO Module

Machine Vision Software and Cameras

The Guidance 1400 Series controllers support the PreciseVision machine vision system. This is a vision software package than can run on a user-provided PC.

Cameras must be connected via Ethernet or USB. Vendors such as DALSA already offer a variety of Ethernet machine vision cameras. In addition, other vendors offer USB cameras that are supported in PreciseVision.

Brooks offers an Arm-Mounted Camera Option for certain robots. Contact sales@preciseflex@brooksautomation.com for details.

Machine Safety

Safety and Agency Certifications

PreciseFlex systems can include computer-controlled mechanisms that are capable of moving at high speeds and exerting considerable force. Like all robot and motion systems, and most industrial equipment, they must be treated with respect by the user and the operator.

This manual should be read by all personnel who operate or maintain PreciseFlex systems, or who work within or near the work cell.

Read ISO 10218-1:2011 and 10218-2:2011 *Robots for Industrial Environments, Safety Requirements*, ISO/TS 15066 *Robots and Robotic Devices – Collaborative Robots*, and ISO 13849-1:2006 *Safety of machinery — Safety-related parts of control systems*.

Standards Compliance and Agency Certifications

The PreciseFlex robots are intended for use with other equipment and are considered a subassembly rather than a complete piece of equipment on their own. They meet the requirements of these standards:

- EN ISO 10218-1:2011 Robots for Industrial Environments, Safety Requirements
- EN 60204-1 Safety of Machinery, Electrical Equipment of Machines
- EN 61000-6-2 EMC Directive (Immunity)
- EN 61000-6-4 EMC Directive (Emissions)
- EN 61326-1:2013
- CAN/CSA-C22.2 No. 61010-1-12 UPD1:2015, UPD2:2016, AMD1:2018
- CSA-C22.2 No. 61010-2-081:19
- UL 61010-1 (3rd Ed.), AMD1(2018)
- UL 61010-2-081 (3rd Ed.)

To maintain compliance with the above standards the controller must be installed and used in accordance with the regulations of the standards, and in accordance with the instructions in this user's guide.

In addition to the above standards, the PreciseFlex 3400 robots have been designed to comply with the FCC Class A emissions requirements and ANSI/RIA R15.06 Safety Standards, and they carry the CE and CSA certification marks.



CE Mark



CSA Mark



Moving Machine Safety

The PreciseFlex robots can operate in Manual Control Mode, in which an operator directly controls the motion of the robot, or Computer Control Mode in which the robot operation is automatic. Manual Control Mode is often used to teach locations in the robot workspace. The robot's speed is limited in Manual Control Mode to a maximum of 250 mm per second for safety. While the PreciseFlex 3400 is a collaborative robot that can only apply approximately 20-60 Newtons of force, it is very important for operators to keep their hands, arms and especially their head out of the robot's operating volume. It is important that operators wear safety glasses when inside the robot's operating volume.

In Computer Mode, the robot can move quickly. The PF 3400 robots have been designed to be "hand-safe" even in computer mode, and in some cases a risk assessment of the application may indicate that it can be used without operator safety screens. However, safety glasses should be worn at all times when an operator is within the robots working volume. Refer to the EN ISO 10218-2-2011 *Robots for Industrial Environments, Safety Requirements* for information on recommended safe operating practices and enclosure design for robots of various sizes and payloads.

Voltage and Power Considerations

The Guidance 1400B controller requires two DC power supplies, a 24 VDC power supply for the processor and user IO, and a separate 48 VDC motor power supply.

 DANGER Electrical Shock	
<p>The Guidance 1400, the 48 VDC and the 24 VDC power supplies are all open frame electrical devices that contain unshielded high voltage pins, components and surfaces. These products are intended to be mounted in a cabinet or machine chassis that is not accessible when AC line power is turned on.</p>	

The PreciseFlex 3400 power supplies have an input range of 100 to 240 VAC, +/- 10%, 50/60 Hz. Inrush current can be as high as 100 Amps at 240 VAC for short periods of time. The power supplies are protected against voltage surge to 2000 Volts. Transient over voltage (< 50 μ s) may not exceed 2000 V phase to ground, as per EN61800-31996. The power supplies have over-current protection, and over-voltage protection.

The robot consumes less than 200 Watts during normal operation.

The PreciseFlex controller can monitor motor power through its datalogging function. Intermittent power dropouts can be detected by setting a trigger in the data logger which can record and time-stamp power fluctuations.

Mechanical and Software Limit Stops

The Z column, shoulder, and elbow have hard limit stops at the end of travel which are factory installed. The soft-limit stops must be set within the range of these hard stops. The wrist axis has a slip ring when the electric gripper is installed, allowing unlimited rotation. However, software stops limit rotation to plus or minus 970 degrees. Since the robot has absolute encoders with battery backup, even if the robot is turned off, the encoders keep track of joint position. If the wrist axis is rotated manually beyond the 970 degree software limit stops, it will be necessary to rotate it back to within the allowed software limits before the robot will run. The joint position can be viewed either on the optional Manual Control Pendant, or in the Virtual Manual Control Pendant in the Web Based Operator Interface. (See *Guidance Controller Setup and Operation Quick Start Guide*) For pneumatic configurations a sliding hard stop limits the wrist rotation to 540 degrees.

Stopping Time and Distance

The robot control system responds to two types of E-Stops.

Soft E-Stop

A "Soft E-Stop" initiates a rapid deceleration of all robots currently in motion and generates an error condition for all GPL programs that are attached to a robot. This property can be used to quickly halt all robot motions in a controlled fashion when an error is detected. A soft E-Stop is typically generated by an application program under conditions determined by the programmer.

This function is similar to a "Hard E-Stop" except that soft E-Stop leaves High Power enabled to the amplifiers and is therefore used for less severe error conditions. Leaving power enabled is beneficial in that it prevents the robot axes from sagging and does not require high power to be manually re-enabled before program execution and robot motions are resumed. This function is also similar to a Rapid Deceleration feature except that a Rapid Deceleration only affects a single robot and no program error is generated.

If set, the **SoftE-Stop** property is automatically cleared by the system if High Power is disabled and re-enabled.

Hard E-Stop

A Hard E-Stop is generated by one of several hardware E-Stop inputs and causes motor power to be disabled. However, there is a parameter that determines a delay between the time the hard E-Stop signal is asserted and the time the motor power supply relay is opened. This delay is nominally set at 0.5 seconds. It may be adjusted by an operator with administrator privileges. On the web based operator interface menu, go to Setup/Parameter Database/Controller/Operating Mode/ and set parameter 267 to the desired delay. If this delay is set to 0, the high-power relay will be disabled within 1ms.

For the PreciseFlex 3400 robot, the shoulder, elbow, and wrist axes do not have mechanical brakes. Therefore, leaving the motor power enabled for 0.5 sec allows the servos to decelerate the

robot. The servos will typically decelerate the robot at 0.12G, or 1250 mm/sec². If the robot is moving at a speed of 500 mm/sec, the distance traveled will be 100 mm to reach a full stop, and the time will be 0.4 sec.

Releasing a Trapped Operator: Brake Release Switch

Should a hard E-Stop be triggered, the Z brake will engage, and motor power will be disconnected from all motors. As the J2, J3, and J4 axes have no brakes, they may be freely pushed by the operator. To release the Z brake, the operator may press the brake release switch, under the inner link, as long as 24 VDC is present. It is not necessary for motor power to be on for the brake release to work.



Brake Release Switch

4. Installation Information

Setup and Operation

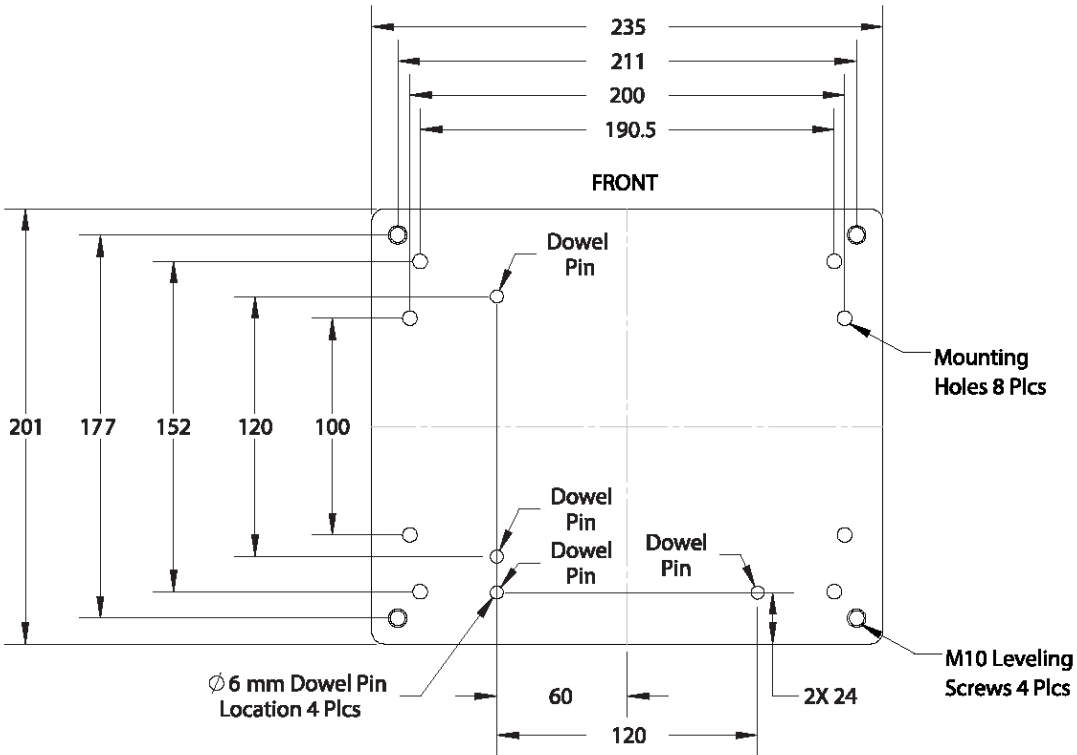
1. Unpack the PreciseFlex robot.
2. Mount the robot.
3. Add or remove a gripper (optional). See the *PreciseFlex Gripper* user manual.
4. Connect the power.
5. Connect the PreciseFlex robot to a PC or tablet, and open the interface.
6. Run the robot. See [Accessing the Web Server](#).

Unpacking and Handling Instructions

PreciseFlex robots are shipped in wooden crates with international ratings and foam inserts to protect the robots. As the robots weigh 25 kg or more, two persons should move the robot to the installation location.

Mounting Instructions

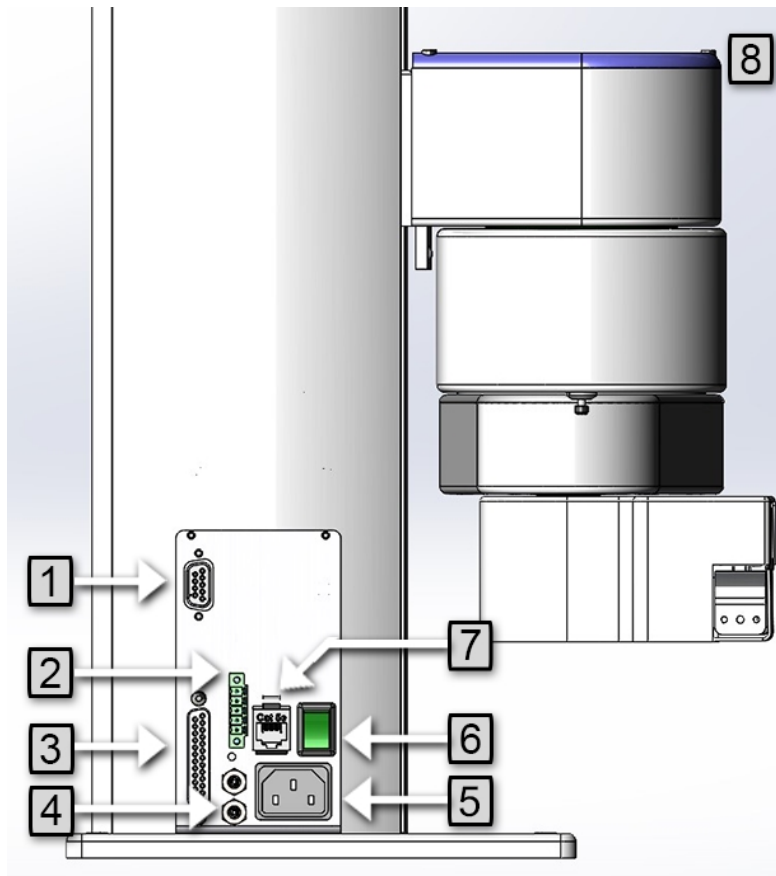
PreciseFlex robots must be attached to a rigid surface that can withstand lateral forces of 200 Newtons without moving or vibrating. The robot base has an integrated bolting pattern to accommodate (4) M6 socket head cap screw (SHCS) mounting screws located as shown below.



Facilities Connections

The Facilities Panel at the base of the robot (and optional linear axis end cap) includes:

- System AC input power receptacle
- Lighted AC on/off power switch
- Connectors for controller input and output signals



Facilities Panel, Key

Annotation	Name	Description
1	9 Pin D Sub Connector	Contains RS-232 Serial Port, 24 VDC, Ground can be used for optional teach pendant
2	E-Stop Connector	E-Stop and Cell Interlock Signals
3	25 Pin D Sub Connector	For GIO module, 8 inputs, 8 outputs
4	Pneumatic Ports	For attaching air lines for optional pneumatic gripper. See the <i>PreciseFlex Servo Grippers</i> user manual.
5	Power Entry Module	For IEC plug. Contains dual fuse drawer.
6	Power Switch	Lighted power switch
7	Ethernet Connector	For ethernet to computer cable
8	Status Light	A blinking light indicates the normal state, a solid light indicates an error, and no light indicate a possible issue with the controller.

Power Requirements

PreciseFlex robot power supplies have an input range of 100 to 240 VAC, +/- 10%, 50/60 Hz. The robots are equipped with an IEC electrical socket that accepts country specific electrical cords. Power requirements vary with the robot duty cycle, but do not exceed 200 Watts RMS.

Accessing the Robot Controller

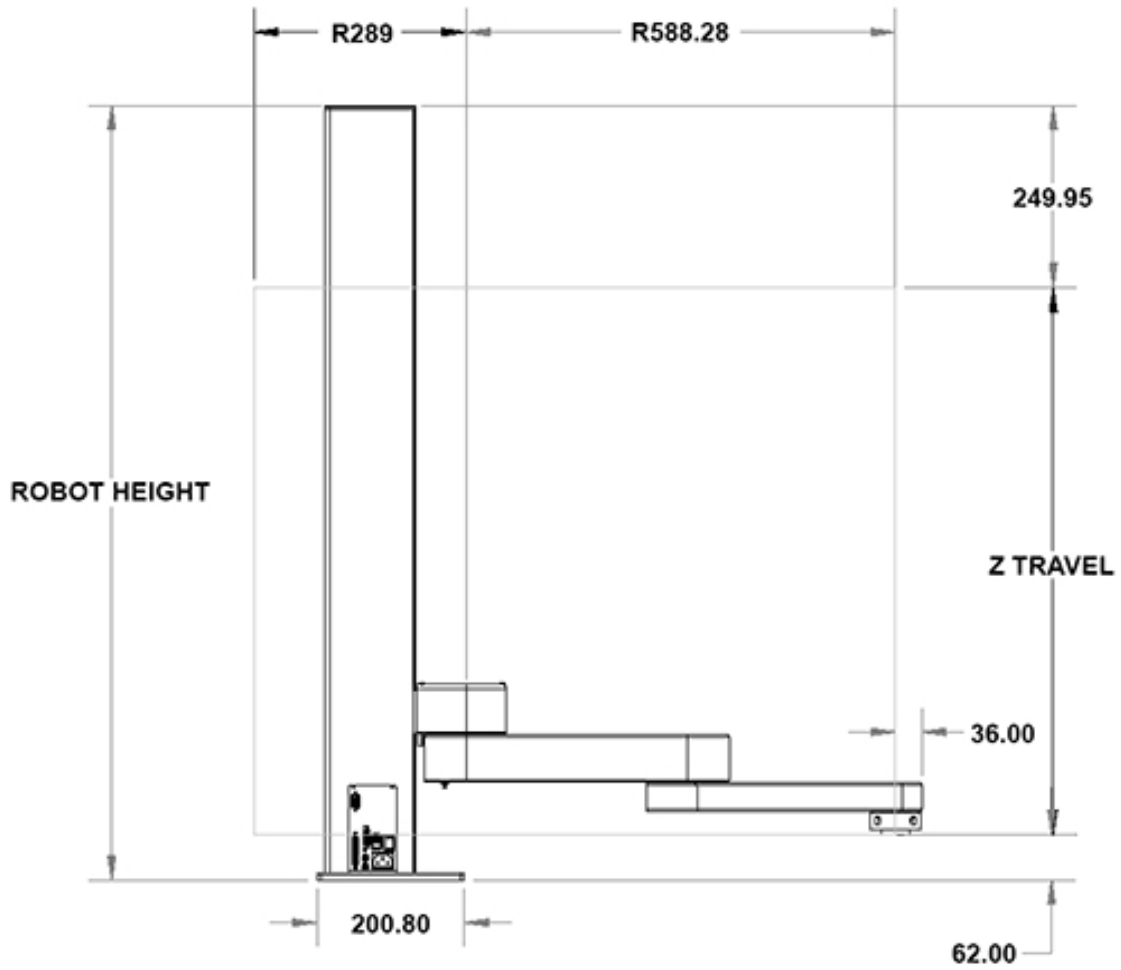
Although most of the controller interface signals are exposed on the [Facilities Panel](#) at the base, there are times when it may be necessary to access either the robot's controller or its power supplies. To access the robot controller, the cover on the inner link must be removed by removing (4) M3 X 20 SHCS from the bottom of the inner link

See the *Guidance 1000A/B Controller* user manual for detailed information on hardware configuration and interfacing the controller using the various input and output ports such as those for digital I/O. Also, refer to the *Guidance System Setup and Operation Quick Start Guide* for information on configuring the PC and instructions on operating the robot. Both manuals are available in PDF format and are also contained in the *PreciseFlex Library*.

System Dimensions

The graphic below shows the right-side view, and the table shows the robot height and Z travel dimensions. All dimensions are in millimeters.

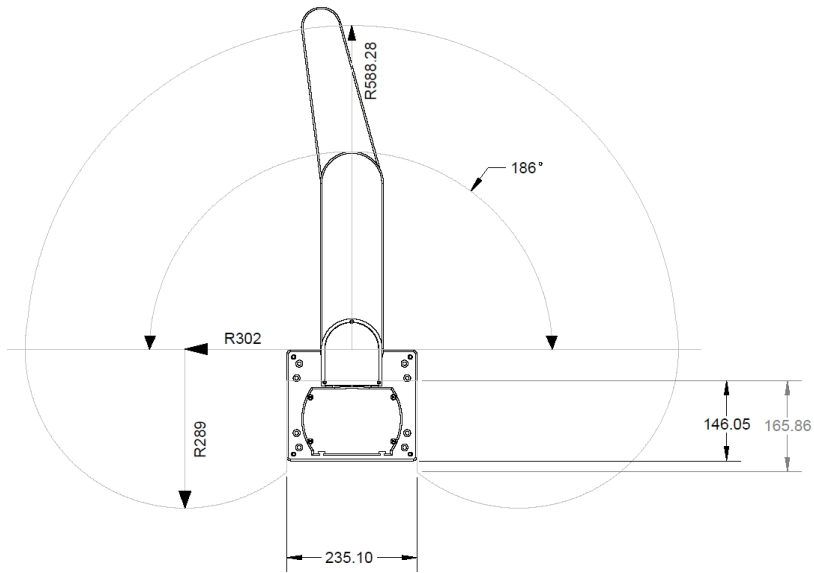
NOTE: For more dimensions or details, email support_preciseflex@brooksautomation.com.



Robot Height, Z Travel Dimensions

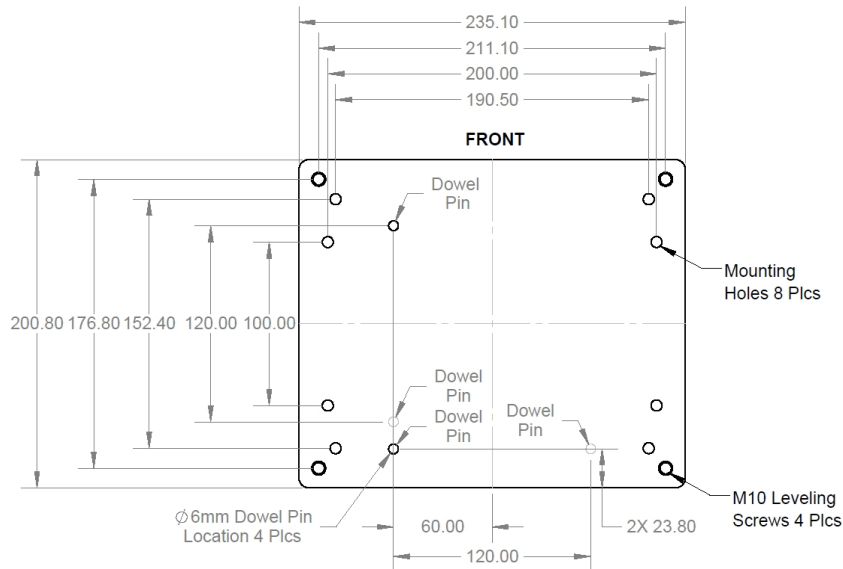
Robot Height	Z Travel
712 mm	400 mm
1062 mm	750 mm
1472 mm	1160 mm

This graphic shows the working volume.

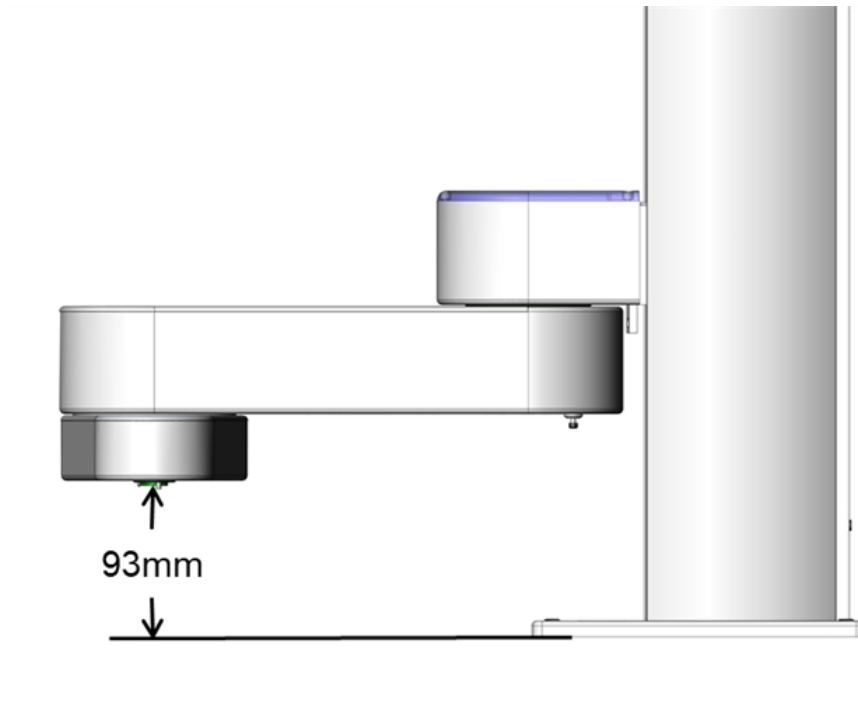


Working Volume

This graphic shows mounting dimensions. Screws can be M6 or 1/4" socket head cap screws.

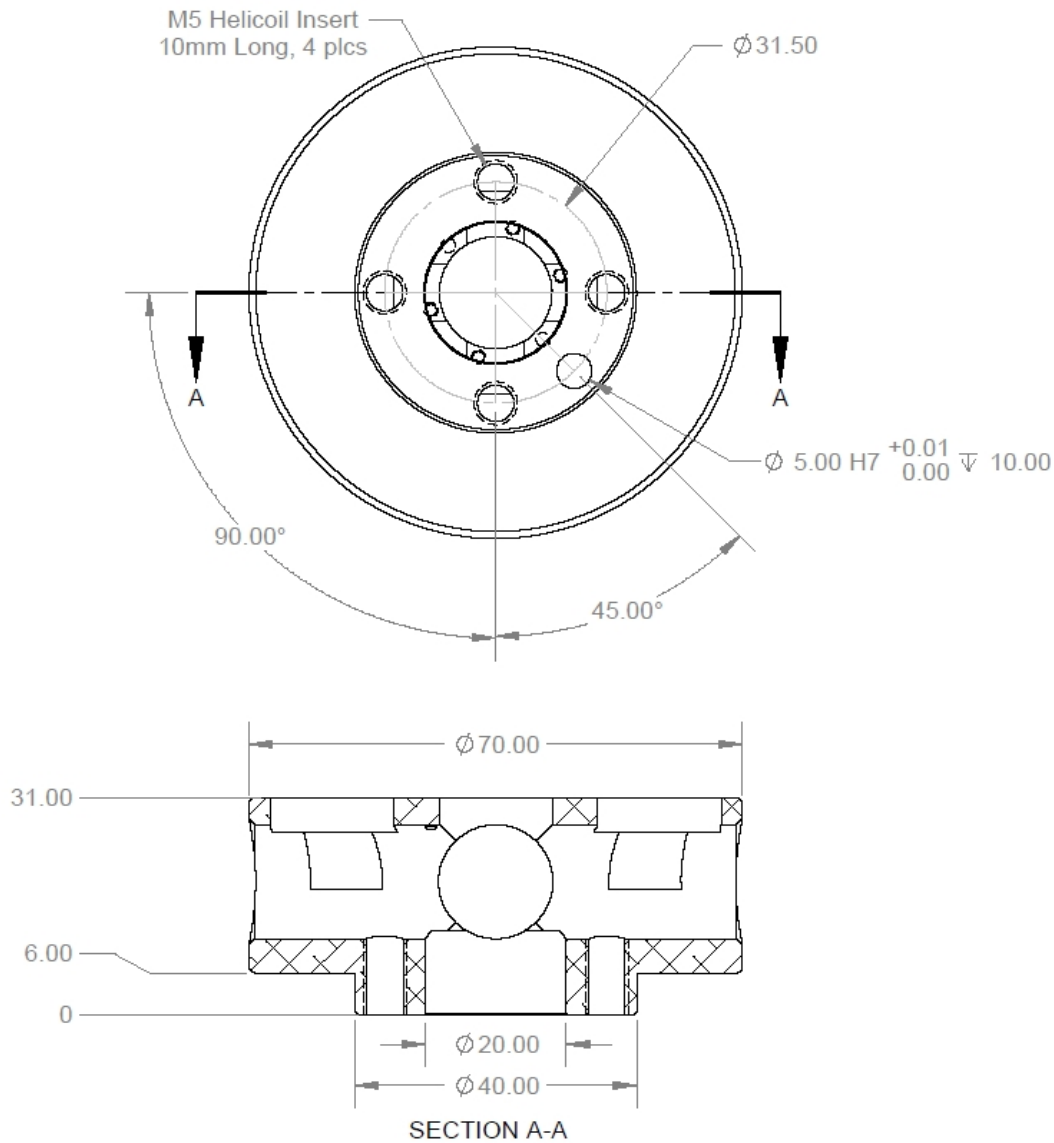


Robot Mounting



Gripper Flange Mount Height from PreciseFlex 3400

Also see the *PreciseFlex Servo Grippers* user manual.



ISO Flange, ISO-9409-1-31.5-4-M5, Installation PreciseFlex 3400

Tool Mounting

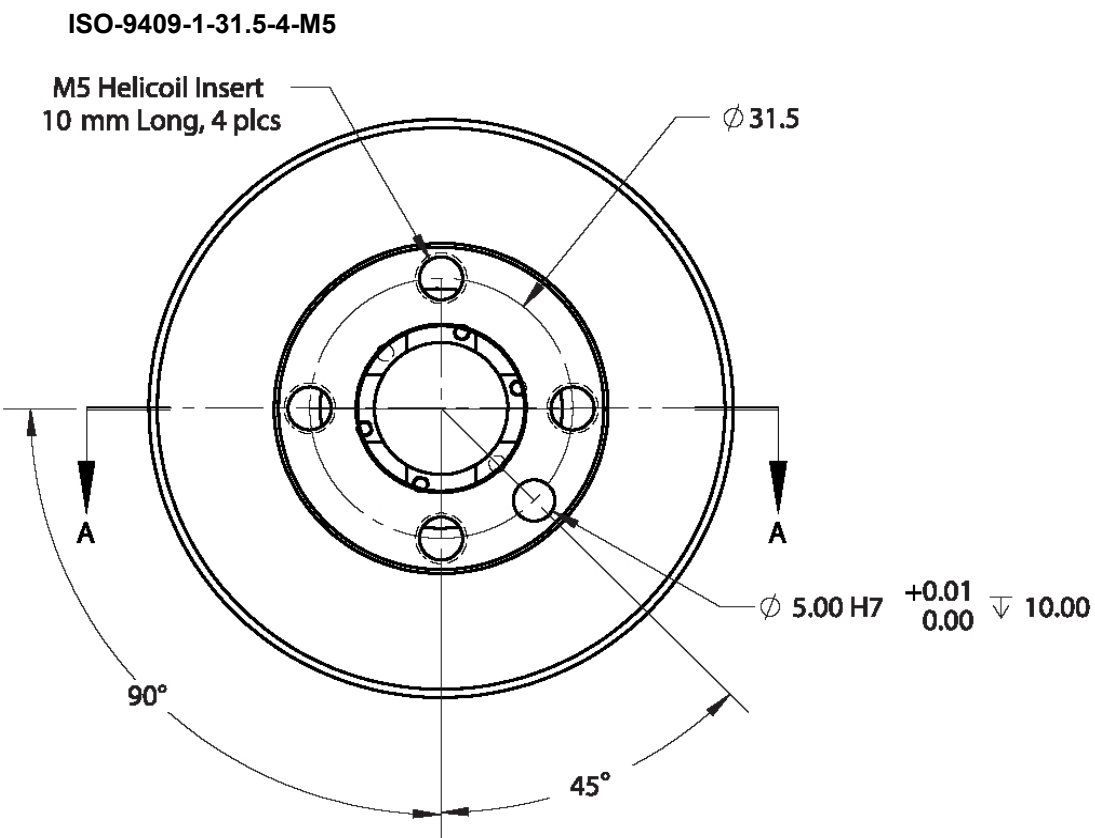
The outer link has a flange for users to attach grippers or tooling. PreciseFlex robots typically comes with two pneumatic lines installed, but it may be ordered with optional electric grippers

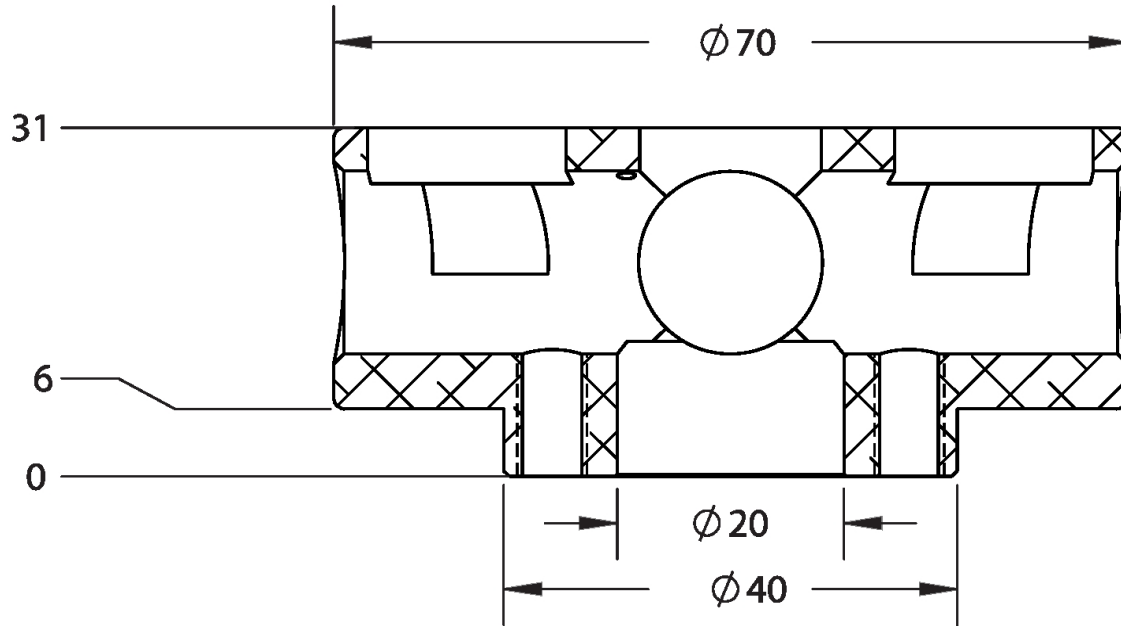
To facilitate electrical interfacing to user tooling, digital I/O signals are available in the outer link. For robots with an electric gripper, the electric gripper controller in the outer link has two extra inputs and two extra outputs available for users. However, it should be noted that all the wires in the 18 conductor slip ring are consumed by the electric gripper, so any additional IO wiring will have to be routed outside the robot wrist. For robots without the electric gripper, a ribbon cable from the

G1400A controller is routed to the outer link. This ribbon cable provides four digital inputs and four digital outputs from the controller. See the *PreciseFlex Servo Grippers* user manual.

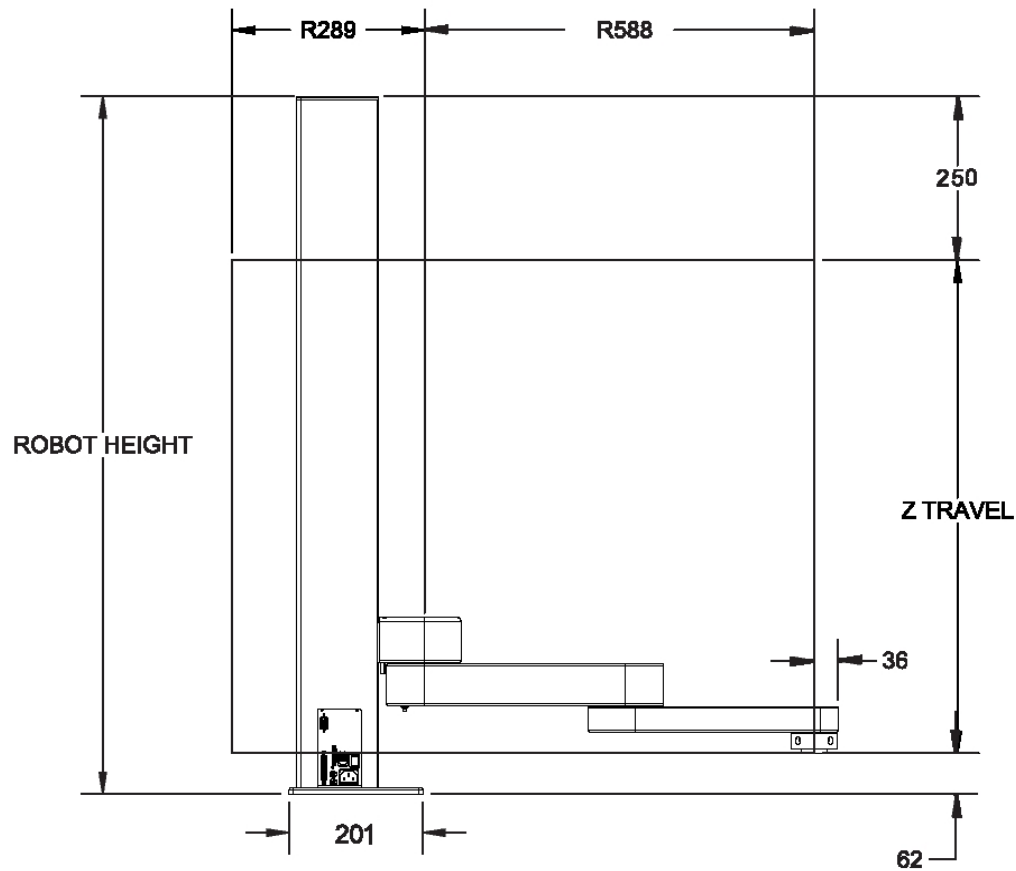
For robots where support for a pneumatic gripper or pneumatic tooling has been ordered, one or two 1/8" OD air hoses are routed from the connector plate in the base through the robot and out to the outer link. These air hoses can be connected to one or two solenoids mounted in the outer link for tooling control.

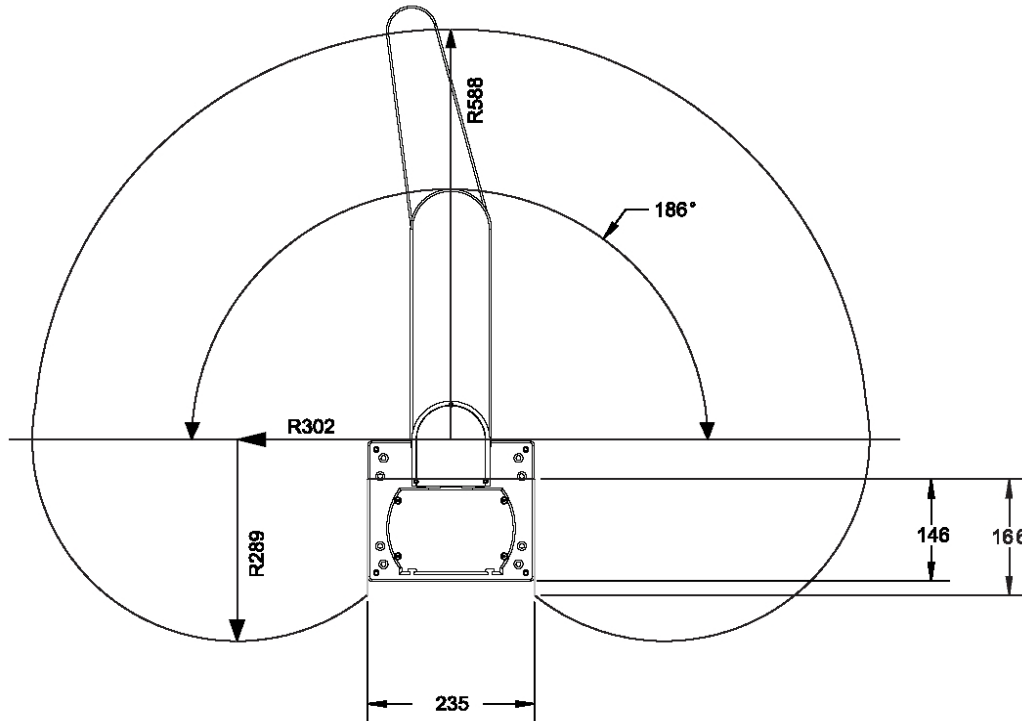
ISO Flange for End-of-Arm Tooling





Work Envelope





Robot Height	Z Travel
712 mm	400 mm
1062 mm	750 mm
1472 mm	1160 mm

Environmental Specifications

PreciseFlex robots must be installed in a clean, non-condensing environment. Light fluid splashing around the base of the robot is acceptable, but this robot is not intended for use in a washdown or spray environment. See the Appendix [Environmental Specifications](#) for specific environmental limits.

Emergency Stop

It is necessary to wire an Emergency Stop Button to the controller. This button may be wired in series with other emergency stop contacts. The E-stop signals are available in the green Phoenix E-

stop connector and the Manual Control Pendant 9-pin DSub connector that is mounted on the Facilities Panel. See [Hardware Reference](#) for detailed information on the E-stop signals.

5. Hardware Reference

E-Stop Connector

The standard E-Stop connector is the green Phoenix connector on the Facilities Panel. Note the E-Stop pins on the MCP Interface (Figure 5-1) are in series with the E-Stop signals on the Phoenix E-Stop connector.

An E-Stop box or circuit can be plugged into either one of these two connectors. However in order for the robot to allow motor power to be enabled the E-Stop circuit must connect 24 VDC to E-Stop1 in both of these two connectors. If no E-Stop box or circuit is connected, then the circuit must be completed with a jumper from pin 1 to pin 2 on the Phoenix connector or from pin 1 to pin 6 on the MCP connector. The robot is shipped with a Phoenix jumper plug (PN 1851070) and a jumper plug in the 9-pin Dsub connector that satisfy these requirements. Unlike the Digital IO circuits, the E-Stop circuit cannot be configured as "Sourcing" or "Sinking." If a remote signal (for example from a PLC) is used to trigger E-Stop, it should be wired to a relay that closes the circuit between pins 1 and 2. When the robot is mounted on a Linear Axis, the MCP Interface is extended to the end cap of the Linear Axis.

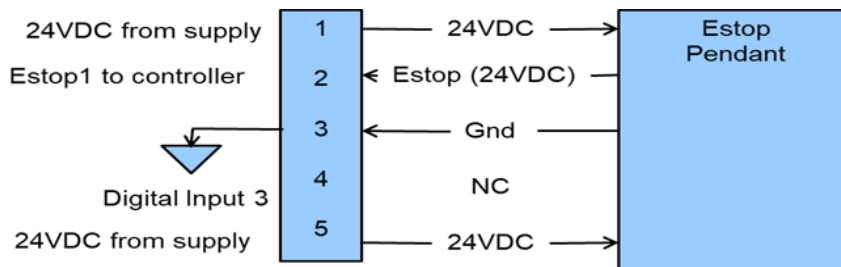


Figure 5-1: E-Stop Pins on the MCP Interface

MCP / E-Stop Interface

The MCP interface includes the signals necessary to connect a Manual Control Pendant, secondary E-Stop circuit, or an external RS-485 Remote IO Module. These signals are provided in a DB9 female connector mounted on the robot's Facilities Panel and on the end cap of the optional Linear Axis.

NOTE: The E-Stop pins on the MCP Interface are in series with the E-Stop signals on the Phoenix E-Stop connector.

An E-Stop box or circuit can be plugged into either one of these two connectors. However, in order for the robot to allow motor power to be enabled, the E-Stop circuit must connect 24 VDC to E-Stop1 in one of these two connectors. If no E-Stop box or circuit is connected, both circuits must be completed with jumper plugs. (The robot is shipped with a Phoenix jumper plug (PN 1851070) and a Dsub jumper plug that satisfy these requirements.)

If a Manual Control Pendant is not connected to the secondary RS-232 port provided in this connector, this serial interface can be accessed via a GPL procedure as device `"/dev/com2"` for general communications purposes.

NOTE: Unlike the primary serial interface, this secondary serial interface does not support flow control. The RS-485 port is used internally to communicate with the gripper controller (See the *PreciseFlex Servo Grippers* user manual) and is also used for the Remote IO option. As such it has a dedicated protocol and is not available for general use. See [Table 5-1](#) for more information.

Table 5-1: Pins, Connector, and Plug

Pin	Description
1	24 VDC
2	RS-232 TXD
3	RS-232 RXD
4	RS-485-
5	Gnd
6	E-Stop1
7	E-Stop Daisy Chain
8	48 VDC
9	RS-485+
Interface Panel Connector Part No	DB9 Female Connector AMP 5747150-7
User Plug Part No	DB9 Male Plug Amp 1658655-1 (crimp) Pins 22-26AWG 745254-6

Digital Input and Output Signals

Digital Input Signals

The standard PreciseFlex 3400 robot provides one general-purpose optically isolated digital input signal at the Facilities Panel (in addition to those signals that are available at the base of the robot and at the GSB controller). This line is accessed in the Phoenix 5-pin E-Stop connector and is connected to Digital Input 3 in the controller. See [Figure 5-2](#).

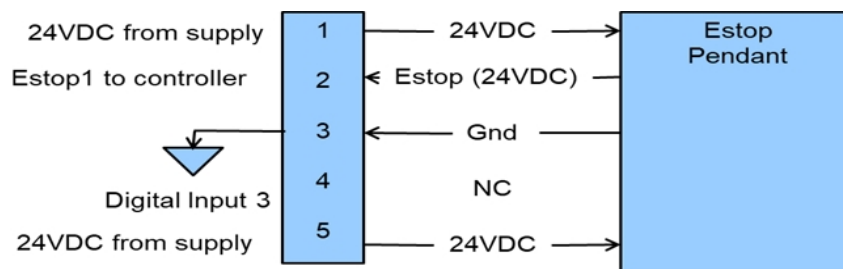


Figure 5-2: E-Stop Pins on the MCP Interface

This input signal can be configured as "sinking" ([Figure 5-3](#)) or "sourcing" ([Figure 5-4](#)). If an input signal is configured as "sinking," the external equipment must pull its input high to 5 VDC to 24 VDC to indicate a logical high value or must allow it to float to no voltage for a logical low. This input is configured at the factory as "sinking."

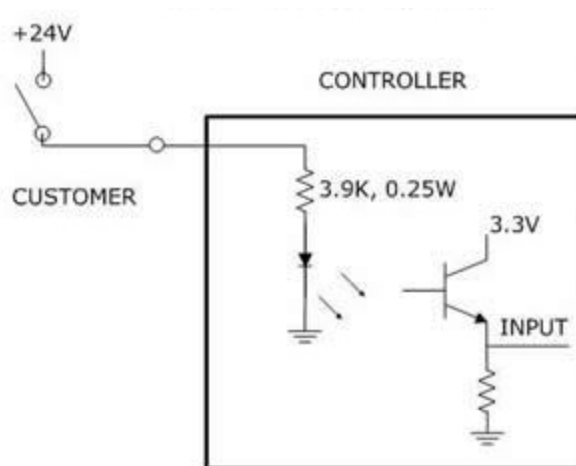


Figure 5-3: Sinking Digital Input

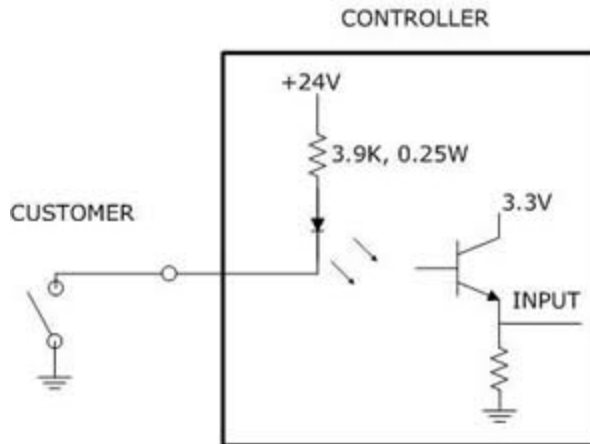


Figure 5-4: Sourcing Digital Input

By setting Jumpers on the CPU (MIDS4) board, the four output signals can be individually configured as "sinking" or "sourcing" and the four digital inputs can be configured as a group to all operate as either sinking or sourcing. For more information on configuring the jumpers, see the *Guidance 1000A/B Controllers*, hardware introduction and reference manual.

Digital Output Signals

The PreciseFlex robot provides four general-purpose optically isolated digital output signals at the G1400B controller. These output signals can be configured as "sinking" (Figure 5-5) or "sourcing" (Figure 5-6). As shipped from the factory, the output signals are configured as "sinking," i.e. the external equipment must provide a 5 VDC to 24 VDC pull up voltage on an output pin and the controller pulls this pin to ground when the signal is asserted as true.

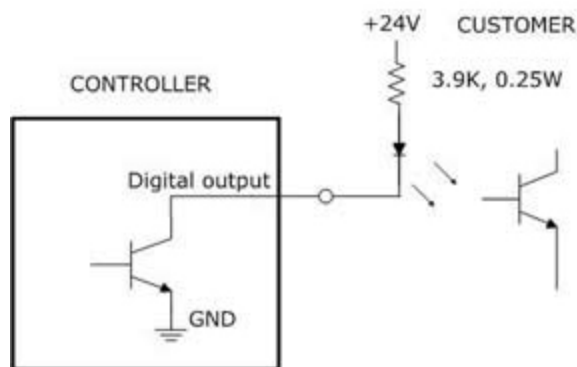


Figure 5-5: Sinking Digital Output

Alternately, the output signals can be configured as "sourcing," i.e. the external equipment must pull down an output pin to ground, and the controller pulls this pin to 24 VDC when the signal is asserted as true.

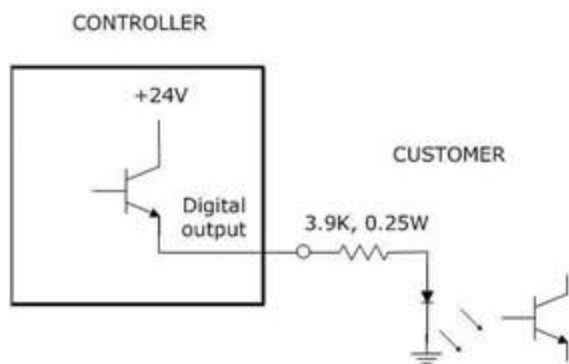


Figure 5-6: Sourcing Digital Output

Outputs can be individually configured as sinking or sourcing signals.

The pin out for the G1400B Digital Input and Output Connector and the corresponding GPL signal numbers are described in [Table 5-2](#). For the user plug part, use AMP 1658622-1 or Molex 22-55-2101 or 90142-0010. For the Molex plug, use Molex sockets 16-02-0103 or 90119-2110 and Molex crimp tool 63811-1000.

Table 5-2: Pin Out for G1400B Digital Input & Output Connector, GPL Signal Numbers

Pin	GPL Signal Number	Description
1	13	Digital Output 1
2	14	Digital Output 2
3	15	Digital Output 3
4	16	Digital Output 4
5		GND
6		24VDC output
7	10001	Digital Input 1
8	10002	Digital Input 2
9	10003	Digital Input 3
10	10004	Digital Input 4

IO in Base of Robot (GIO)

The GIO function is integrated as a standard feature in the base of the robot. There are eight digital inputs. All outputs are sourcing and cannot be changed. Inputs are set to sinking in the factory and can be changed in blocks of four by moving J12 and J13 to connect pins 1 and 2, instead of 2 and 3. See [Figure 5-7](#), [Figure 5-8](#), and [Table 5-3](#)

For the Interface Panel Connector, use a DB25 Female Connector. For the User Plug, use a DB25 male plug.

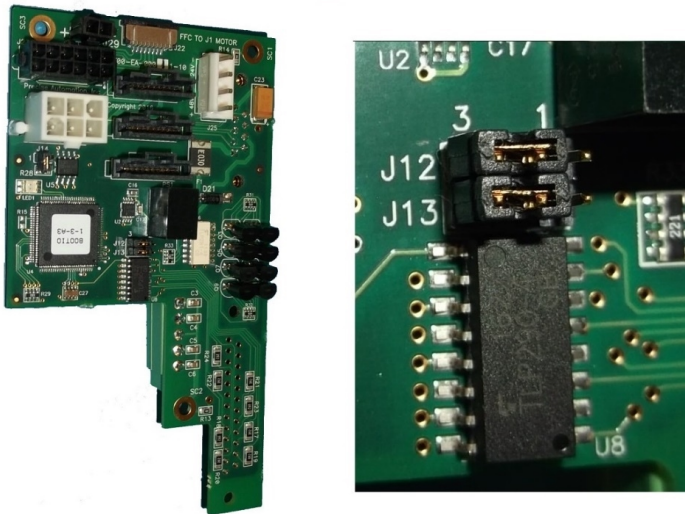


Figure 5-7: Board with J12 & J13

The software addresses will then be as follows.

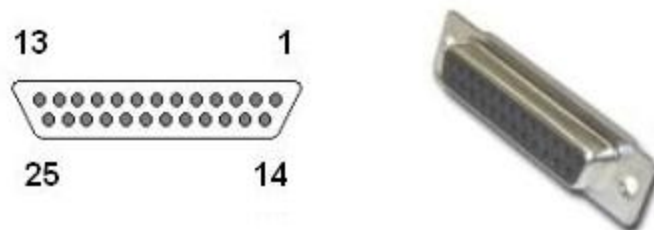


Figure 5-8: DB25 Female

Table 5-3: Pin Out & GPL Numbers

Pin	GPL Signal Number	Description
1		Gnd
2	810001	Digital Input 1
3	810003	Digital Input 3
4	810005	Digital Input 5
5	810007	Digital Input 7
6		Not used
7		Not used
8		24 VDC
9	800013	Digital Output 1

Pin	GPL Signal Number	Description
10	800015	Digital Output 3
11	800017	Digital Output 5
12	800019	Digital Output 7
13		24 VDC
14		Gnd
15	810002	Digital Input 2
16	810004	Digital Input 4
17	810006	Digital Input 6
18	810008	Digital Input 8
19		Not used
20		Not used
21		24 VDC
22	800014	Digital Output 2
23	800016	Digital Output 4
24	800018	Digital Output 6
25	800020	Digital Output 8

Ethernet Interface

PreciseFlex robots include an Ethernet switch that implements two 10/100 Mbit Ethernet ports. This capability was designed to permit the controller to be interfaced to multiple Ethernet devices such as other PreciseFlex controllers or robots, remote I/O units and Ethernet cameras. The Ethernet switch automatically detects the sense of each connection, so either straight-through or cross-over cables can be used to connect the controller to any other Ethernet device.

Due to limited space on the Facilities Panel, only one of the two Ethernet ports is available via an external RJ45 connector. This external Ethernet port is typically used to interface the robot to a PC. The second Ethernet port is only available inside the inner link of the robot. In some cases it may be used to connect an Ethernet camera that is mounted on the robot. In this case, a PC that is connected to the Ethernet plug on the Facilities Panel can communicate with the robot's controller as well as receive images from an arm-mounted camera. (For the initial release of this robot, arm mounted cameras are not supported.) If a camera is mounted in the workcell, an external Ethernet switch must be added to connect these cameras and the robot to a PC.

See the *Setup and Operation Quick Start Guide* for instructions on setting the IP address for the controller.

RS-232 Serial Interface

The PreciseFlex robot includes a standard RS-232 serial line equipped with hardware or software flow control. However this port is only available on the G1400B controller in the inner link of the robot and is not brought out to any outside connector on this robot. This port can be used to


communicate to the system serial console or can be connected to external equipment for general communication purposes. When used for general communications, this port is referenced as device `"/dev/com1"` within the Guidance Programming Language (GPL).

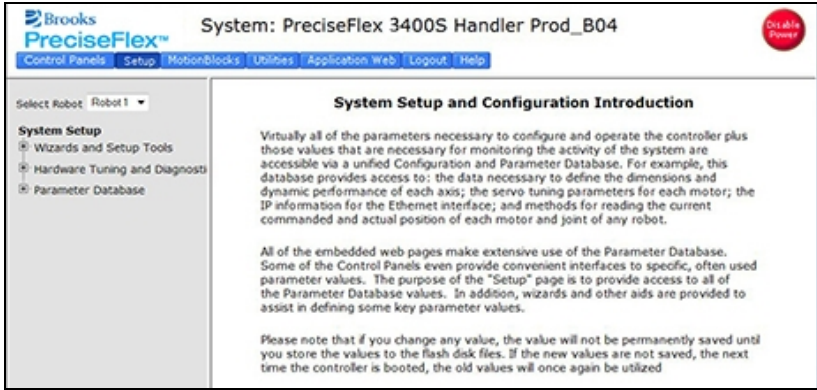
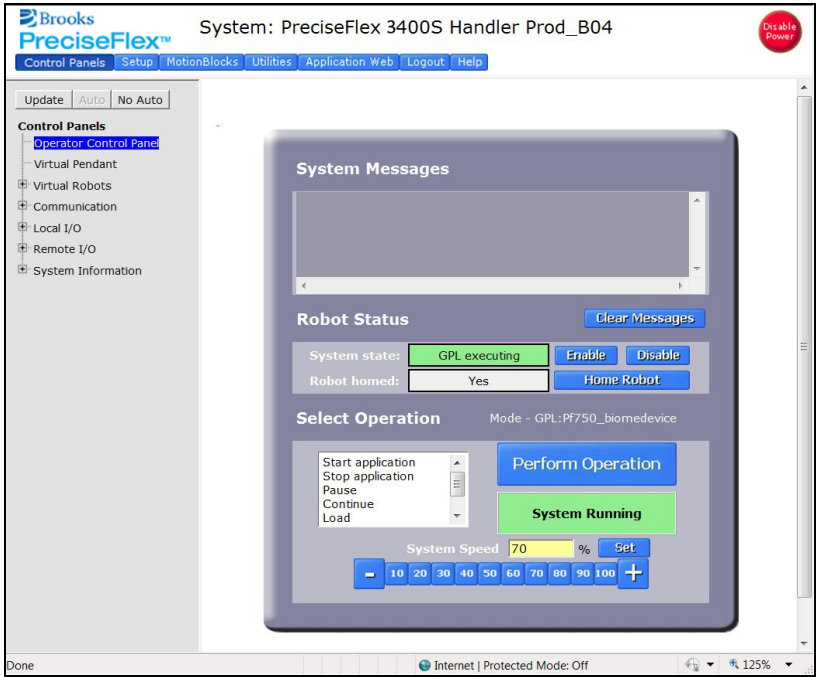
The connector for this interface is a standard RJ11 serial interface connector that has pin assignments compatible with standard PC "com" ports. For this robot it is only used for debugging and special service procedures.

6. Software Reference

Accessing the Web Server

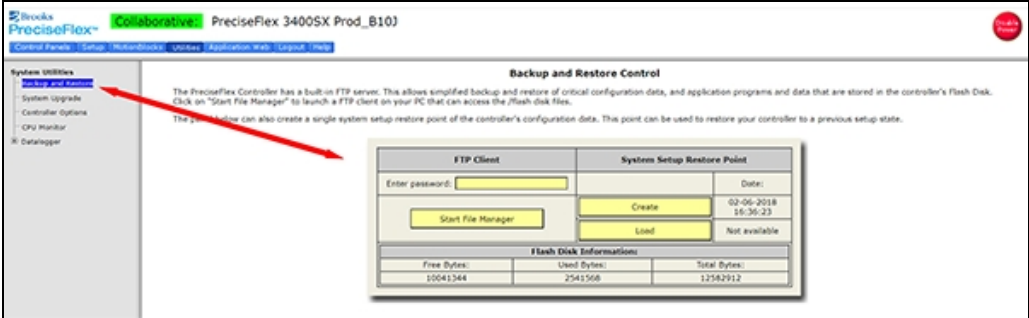
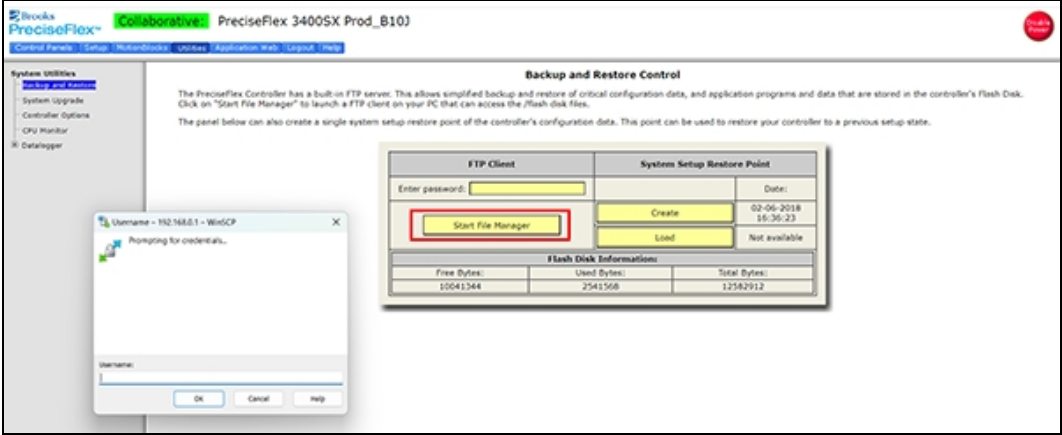
Many OEM customers run the PreciseFlex 3400 using a PC to provide an application-specific operator interface. In order to update software in the controller, and view certain error messages, it is necessary to access the Web Server Interface embedded in the controller.

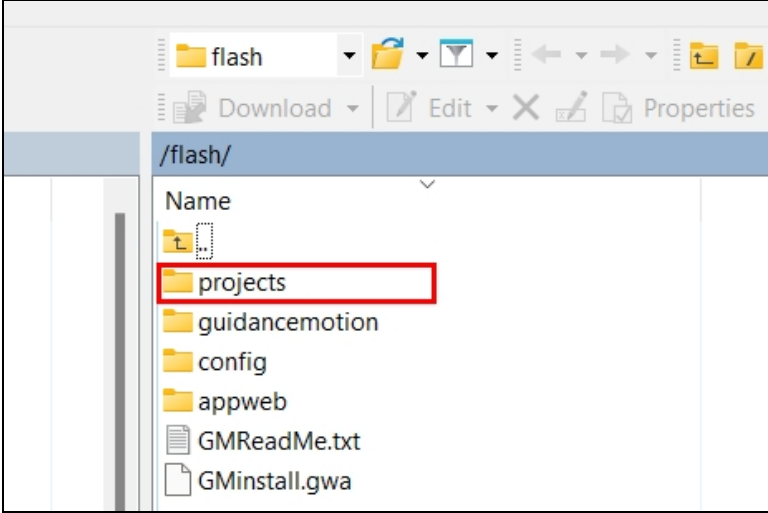
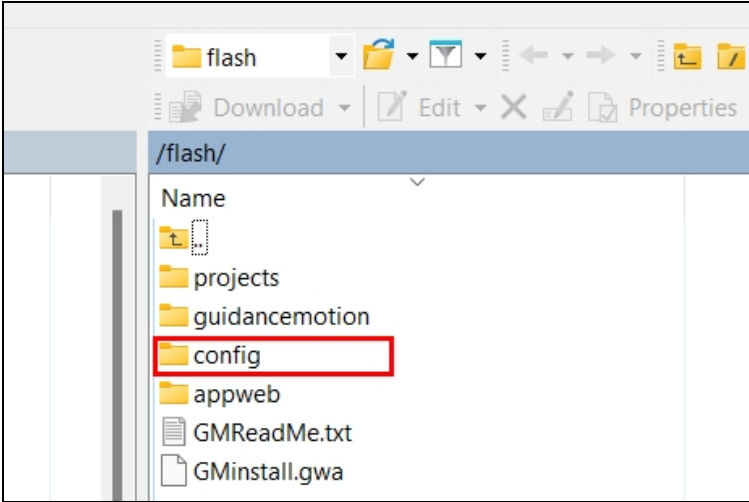
Step	Action
1.	<p>Open a browser in a PC that is connected to the robot via Ethernet. The user must know the IP address of the robot controller. Two common IP addresses are 192.168.0.1 and 192.168.0.10. The PC LAN interface address must be configured correctly (for example 192.168.0.100, with subnet mask 255.255.255.0).</p>  <p>The screenshot shows the Brooks PreciseFlex web interface. At the top, it says 'System: PreciseFlex 3400S Handler Prod_B04'. Below that, it says 'Welcome to the Precise Automation "Guidance Controller Web Viewer"'. There is a section for 'You are connecting to...' with the following details: Controller name: PreciseFlex 400S Handler Prod_B04, Controller serial #: 0014FF-00020160, and Software Version: GPL 3.1R4, Feb 29 2012, Release. Below this is a 'Select Access Level:' section with five buttons: Application, Operator, Maintenance, Admin, and Readme (with a question mark icon). There is also a password field labeled 'Enter password:' and instructions: 'To login to the system, please enter your password and select the appropriate access button. For additional information click on the "Readme" button.'</p>

Step	Action
2.	<p>It may be necessary to enter a password if a company has protected access to the web Interface.</p> <p>Once the password has been entered, click Admin to access all the features to perform system upgrades.</p> 
3.	<p>Click Control Panels > Operator Control Panel.</p> 
4.	<p>If an application is running, the “System Running” panel will display in green. In order to run diagnostics, stop the application from running. Click Stop Application and then Perform Operation. This will stop the application from running.</p>
5.	<p>Click Disable Power to be sure motor power is off.</p>
6.	<p>To load a new project (for example CAL_PP), click Unload and then Perform Operation before loading the new project into RAM.</p>

Loading a Project (Program) or Updating PAC Files

If CAL_PP or a different program needs to be loaded into the controller from an external computer, this may be done using the Web Interface.

Step	Action									
1.	<p>In the Operator Interface, select Utilities > System Utilities > Backup and Restore.</p>  <p>The screenshot shows the 'Backup and Restore Control' page. On the left, there is a 'System Utilities' menu with 'Backup and Restore' selected. The main content area contains instructions and a 'Backup and Restore Control' panel. This panel has two sections: 'FTP Client' and 'System Setup Restore Point'. The 'FTP Client' section has an 'Enter password:' field and a 'Start File Manager' button. The 'System Setup Restore Point' section has a 'Date:' field, 'Create' and 'Load' buttons, and a 'Not available' status. Below these is a 'Flash Disk Information' table:</p> <table border="1" data-bbox="688 758 1117 911"> <thead> <tr> <th colspan="3">Flash Disk Information</th> </tr> <tr> <th>Free Bytes:</th> <th>Used Bytes:</th> <th>Total Bytes:</th> </tr> </thead> <tbody> <tr> <td>10041344</td> <td>2541568</td> <td>12582912</td> </tr> </tbody> </table>	Flash Disk Information			Free Bytes:	Used Bytes:	Total Bytes:	10041344	2541568	12582912
Flash Disk Information										
Free Bytes:	Used Bytes:	Total Bytes:								
10041344	2541568	12582912								
2.	<p>Click Start File Manager to connect to an FTP utility.</p>  <p>The screenshot shows the same 'Backup and Restore Control' page as in step 1. A red box highlights the 'Start File Manager' button. A Windows 'Prompting for credentials' dialog box is overlaid on the screen, showing the title 'Username - 192.168.0.1 - WinSCP' and a 'Prompting for credentials...' message. The dialog box has fields for 'Username:' and buttons for 'OK', 'Cancel', and 'Help'.</p>									

Step	Action
3.	<p>To load a project, open the “Projects” folder and paste the Project folder into this area. There may be several other projects (programs) loaded into this folder, which is stored in flash ram in the controller. A project folder is a software folder than may have several files inside it. Load the entire folder, not just the files inside.</p>  <p>The screenshot shows a file explorer window with the address bar set to /flash/. The file list includes folders for projects, guidancemotion, config, and appweb, along with files GMReadMe.txt and GMinstall.gwa. The 'projects' folder is highlighted with a red rectangular box.</p>
4.	<p>To load or update PAC files, open the “Config” folder and paste a backup copy of the PAC files into the “Config” folder. These files will all have a .pac extension. The robot must be re-booted after new PAC files are installed for them to take effect.</p>  <p>The screenshot shows the same file explorer window as in step 3, but now the 'config' folder is highlighted with a red rectangular box.</p>
5.	<p>Once the appropriate project (for example CAL_PP) has been loaded into flash memory, it must then be loaded into dynamic memory in order to execute. See "Calibrating the Robot: Setting the Encoder Zero Positions" on page 1 for an example on how to load and execute the CAL_PP program.</p>

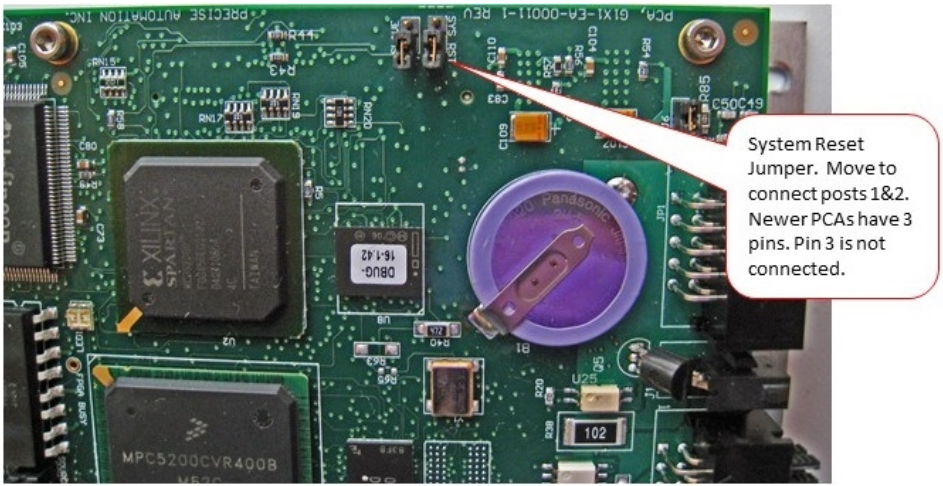
Recovering from Corrupted PAC Files

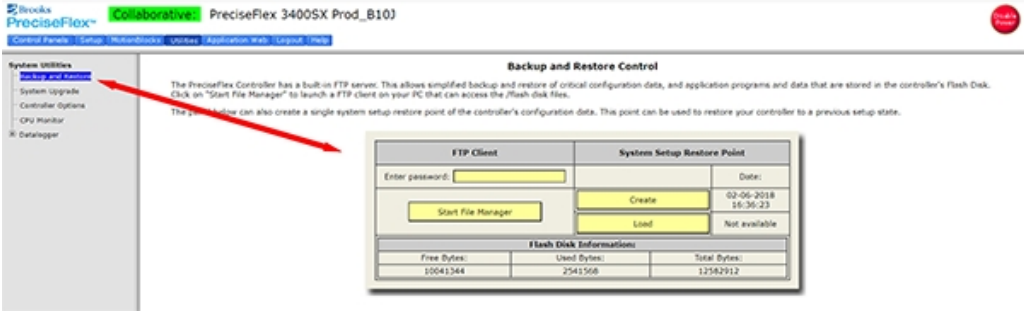
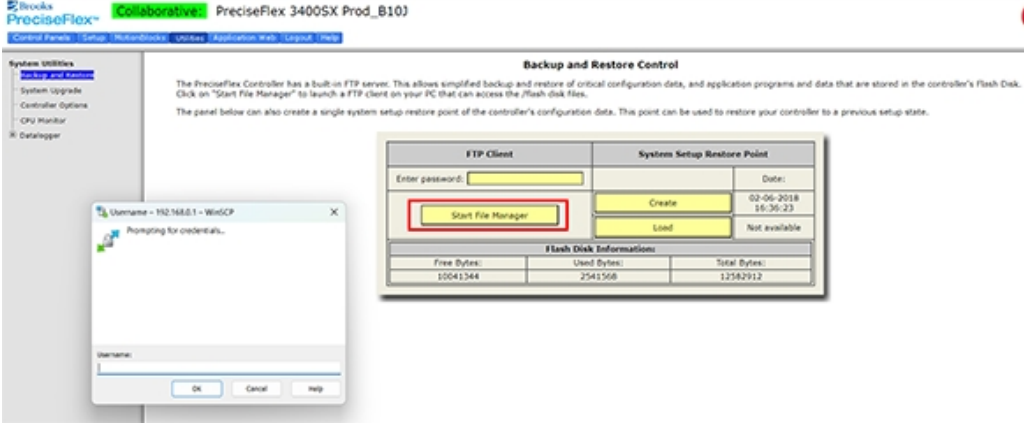
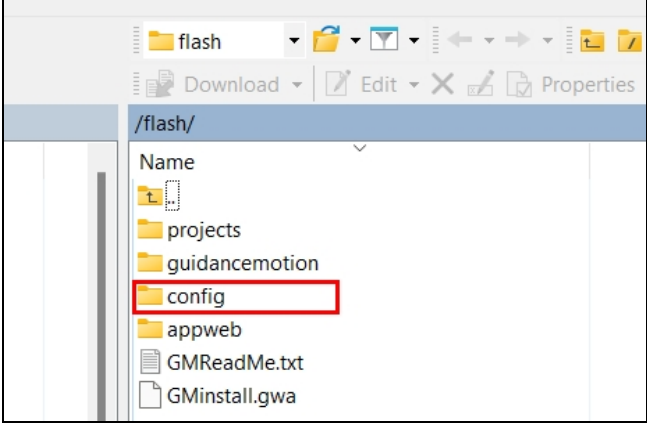
PAC files are configuration files that determine the configuration of the robot for the software, including the robot factory calibration data. These files are stored in Flash RAM. Flash RAM is also used to store robot programs. The Flash RAM requires some time for a complete write cycle. During the write cycle, the console will display a flashing warning not to turn off robot power. If robot power is turned off during the Flash RAM write cycle, the Flash data may be lost or corrupted. If this happens, it is necessary to reload both the robot PAC files and any user programs that were stored in Flash RAM. This problem should typically not be encountered by a user unless the user is changing configuration files in the robot.

Brooks maintains a record of PAC files shipped with each robot Serial Number. If the PAC files have been corrupted, it is possible to get a back up copy from Brooks. The backup copy will contain the factory configuration and calibration data, but will not contain any changes, including any new calibration data, made after the robot has left the factory.

In order to allow the controller to recover from corrupted PAC files, a set of recovery boot up PAC files is loaded in a the system area of the Flash.

The following procedure outlines how to configure the controller to boot up in recovery mode.

Step	Action
1.	Get a set of backup PAC Files from Brooks (support_preciseflex@brooksautomation.com) or local backup.
2.	Remove the Inner Link Cover of the robot.
3.	<p>Move Jumper J8 so it connects the two jumper posts. This will cause the factory default configuration files to be loaded at controller boot up.</p> 

Step	Action
4.	Cycle the robot power to reboot the controller.
5.	<p>In the Operator window, click on Utilities/Backup and Restore to display the <i>Backup and Restore Control</i> window.</p> 
6.	<p>Click on Start File Manager to connect to an FTP utility.</p> 
7.	<p>Open the Config folder and paste the backup copy of the PAC files into this folder.</p> 
8.	Wait until the console prompt stops flashing, about 10-15 seconds.

Step	Action
9.	Turn off robot power.
10.	Restore Jumper J8 to its previous position.
11.	Reboot the robot. The PAC files should be restored and the robot should run.
12.	If the robot has ever been recalibrated since the back up PAC files were created, it will be necessary to recalibrate the robot, as the calibration files will be out of date.
13.	Replace the Inner Link Cover.

Command Server

Brooks offers a Command Server software package that allows a PC to send high level commands to the PreciseFlex 3400 robot. This package is available upon request. Email support.preciseflex@brooksautomation.com.

G1400B Dedicated Digital Outputs

The G1400B adds one dedicated digital output to the standard dedicated signals found in the Guidance Controller, as shown in [Table 6-1](#).

Users normally do not need to modify the setting of the status lamp (IO 20) since the standard robot software typically manages this signal. However, this signal can be manually altered under program control via the GPL SIGNAL.DIO instruction. This is controlled by DOUT signal 20 ([Table 6-1](#)). If direct control of this signal is desired, DataID 235 should be set to 0 and signal number 20 should be controlled by program control.

Table 6-1: DOUT Signal 20

Signal Number	I/O	Label	Description
20	O		Outer Link status lamp. Set to 1 to turn on the lamp. Normally parameter "Power State DOUT" (DataID 235) is set to this signal number so that the Outer Link lamp displays the robot power state.

Appendices

Appendix A: Product Specifications

Category	Specification
Performance	
Max Payload	3 kg (including optional Servo Gripper)
Max Speed at TCP	1500 mm/sec (horizontal) 500 mm/sec ² (vertical)
Max Acceleration	2000 mm/sec ² with 1 kg payload
Repeatability	±0.090 mm at tool flange center
Range of Motion	
Joint 1 Range of Motion	400, 750, 1160 mm
Joint 2 Range of Motion	±93°
Joint 3 Range of Motion	±168°
Joint 4 Range of Motion	+100° to +470° (±960° with servo gripper)
Horizontal Reach	588 mm (666 mm with servo gripper)
Communications	
General	100 Mb Ethernet, TCP/IP EtherNet/IP (optional) RS232 Modbus/TCP RS232, at end-of-arm
E-stop	Dual-channel E-stop
Operator Interface	Web-based operator interface
Digital I/O	12 inputs, 8 outputs at base of robot optically isolated, 24V @ 100ma 2 in, 4 out for end-of-arm-tooling Remote I/O available Facilities Power
Facilities	
Power	90 to 132 VAC and 180 to 264 VAC Auto selecting, 50-60 Hz 100-250 watts typical operation DC Power Option Available
Pneumatics	Two 3.2 mm OD (1.7 mm ID) airlines provided for end-of-arm-tooling. 4.9 bar max (71 PSI)
Operating Temp	0-50°C (32-122°F)
Relative Humidity	90% non-condensing
Controller Mounting	Embedded into robot base
Air Lines	Two, 3.2 mm OD, 1.6 mm ID Max pressure 500 kba (75 PSI)
Weight	One air line, 75 PSI maximum, provided at outer link and routed internally to fittings on the Facilities Panel if Pneumatic Option selected.
Operator Interface	Web based operator interface supports local or remote control via browser connected to embedded web server.

Category	Specification
Programming Interface	Three methods available: DIO MotionBlocks (PLC), embedded Guidance Programming Language (standalone), PC controlled over Ethernet using TCP/IP.
Required Power	The PreciseFlex 400 power supplies have an input range of 100 to 240 VAC, +/- 10%, 50/60 Hz. 200 Watts typical 400 watts maximum
Weight	25 kg (400 mm Z-axis) 30 kg (750 mm Z-axis) 35 kg (1160 mm Z-axis)
Software	
Programming	Guidance Motion (web interface) Guidance Programming Language (GPL) TCP Command Server (TCS)
Enhanced Functions	Hand Guiding (standard) Horizontal Compensation Z-Height Detection
Peripherals and Accessories	
General	23 N Servo Gripper Dual 23 N Servo Gripper 60 N Servo Gripper Gripper Fingers Remote I/O (RIO)
Linear Rail	1.0, 1.5, and 2.0 M travel Speed up to 750 mm/sec Repeatability: ±0.05 mm
Vision	PreciseVision Gripper, 23 N PreciseVision Gripper, 60 N

Appendix B: Spare Parts List

NOTE: Email support_preciseflex@brooksautomation.com for help replacing spare parts.

Description	Part Number	Rev C PN
Absolute Encoder Battery Assembly	PF0H-MA-00057	
J1 Motor Assembly - 3KG, PF3400	PF00-MA-00071	
J1 Stage 1 Belt	PF00-MC-X0021	
J1 Stage 2 Belt 400 mm	PF00-MC-X0022	
J1 Stage 2 Belt 750 mm	PF00-MC-X0023 Note: 750mm on PO	
J1 Stage 2 Belt 1160 mm	PF00-MC-X0023 Note: 1,160mm on PO	
J2 400 W Motor Assembly 20 mm Pulley (PreciseFlex 3400)	PF02-MA-00020	
J2 Belt 9 mm wide	PF00-MC-X0005	
J2 Belt 12 mm wide (Rev B, C)	PF00-MC-X0081	
J2 Cam Followers for 9 mm belt (set of 2)	PF00-MA-00023	
J2 Cam Follower for 12 mm belt (set of 2) (Rev B)	PF00-MA-00024	
J3 Motor Assembly	PF00-MA-00030	
J3 Belt, Extended Reach	PF00-MC-X0066	
J4 50 W Motor Assembly (PreciseFlex 3400)	PF04-MA-00023	
J4 Belt - LR 3 MM PITCH GT2, TRUMOTION, 232G	PF00-MC-X0065	
23 N Servo Gripper - without fingers	PF0S-MA-00001-1	
23 N Servo Gripper Fingers	PF0S-MA-00010	
60 N Servo Gripper	PF3S-MA-00001	
G1400C Controller with advanced kinematics license	G1X0-EA-C1400-13	
Guidance 1100T Slave (GSB) for Single Gripper	G1X0-EA-T1101-4	
Guidance 1100T Slave (GSB) for Dual Gripper/Rail	G1X0-EA-T1101-4D	
24 VDC Supply	PS10-EP-24150	
48 VDC Motor Supply	PS10-EP-48500	
Slip Ring Harness Assembly, 23 N Dual Servo Gripper	397515	18Wire
Slip Ring Harness Assembly, 60 N Spring Gripper	PF04-MA-00030-E2	
Harness, FFC, J4 Motor	PF0H-MA-00002-02	
Harness, FFC, J4 Encoder	PF0H-MA-00020-2	
Harness, Gripper Controller	PF0H-MA-00036	
J1 Motor Interface PCA	PF00-EA-00031	
J2 Motor Interface PCA	PF00-EA-00030	
MIDS Interface PCA	PF00-EA-00032	Connector changed
J4 Motor Interface PCA	PF00-EA-00033	

Appendix C: Environmental Specifications

NOTE: PreciseFlex robots are powered by 24 VDC and 48 VDC low-voltage DC power supplies with built-in overcurrent protection. For this reason, the PreciseFlex robots do not have a Short-Circuit Current Rating (SCCR).

Install the robot in a clean, non-condensing environment with the following specifications:

General Specification	Range & Features
Ambient temperature	4° C to 40° C
Suitable use	Indoor use only
Storage and shipment temperature	-25° C to +55° C
Humidity range	10 to 55%, non-condensing, non-corrosive
Altitude	Up to 3000 m
Voltage, single phase	100-240 VAC +/- 10%, 50/60 Hz
Mains cord rating, min	18 AWG, 3 conductor, 5 Amps min
Pollution Degree	2
Approved Cleaning Agents	IPA, 70% Ethanol/30% water, H2O2 Vapor up to 1000 ppm
IP rating	11
IK impact rating	IK08: 5 Joule

Appendix D: Preventative Maintenance

Every one to two years, the following preventative maintenance procedures should be performed. For robots that are continuously moving 24 hours per day, 7 days a week at moderate to high speeds, a one-year schedule is recommended. For robots with low duty cycles and low to moderate speeds, these procedures should be performed at least once every two years.

Table 1-1: Preventative Maintenance, Checklist & Procedures

Check List	Procedure If Problem Detected
Check all belt tensions	Re-tension if necessary
Check air harness tubing in elbow if present, and theta axis for any wear	Replace if necessary
Replace timing belt in optional linear axis	Typically every 6,000 hours of continuous operation
Check all joints in "free mode" for low bearing friction and any sticking.	If a bearing is getting stiff, return to factory for bearing replacement.
Check second stage (long) Z belt for any squeaking	If noisy, add thick grease to front and rear edge of belt if necessary. (Shell 222 XP or similar). Z timing belt can get stiffer over time (2-3 years) and occasionally start squeaking against pulley flanges.
Check if front cover is rattling	If so, check .125 in ID by .062 in thick O rings on dowel pins in base plate under front cover for any deterioration and replace if necessary.
Check Cam Followers on J2 timing belt for grease leaking or discoloration.	Replace if necessary. Note that earlier units had a 9 mm wide timing belt and later units (2014, 2015) have a 12 mm wide timing and the Cam Followers are different. See "Appendix C: Spare Parts List."
Replace slip ring	For units with electric gripper shipped before April 2015, replace the slip ring. For units shipped after April 2015, replace the slip ring every third inspection test.

Table 1-2: PreciseFlex 3400 PM Schedule by Revision Level & Date

Component	Expected Life	Action
Revision A, Serial Numbers F0X...		
Slip ring	1-3 years	Replace component
Ethernet cable (flat black Startech)	2-4 years	Replace component
J2 timing belt (9 mm)	2 years	Replace component
Motors with pulleys (bonded)	2-10 years	Replace assembly if bond broken
Harness (any FFC cables)	4-10 years	Replace robot*
Revision B, Serial Numbers F0B...		
Slip ring	3-5 years	Replace component
Ethernet cable (flat black Startech)	2-4 years	Replace component
Revision C, Serial Numbers F0C...		
Slip ring	3-5 years	Replace component
J2 timing belt	5 years heavy use	Replace component
Ethernet cable (flat black Startech before Nov 2017)	2-4 years	Teflon replacement 10 years

NOTE: *Because of EOL parts, this repair requires the replacement of a large amount of electronics and harnessing. Replacing the robot may be more cost effective.

Table 1-3: Linear Axis PM Schedule

Component	Expected Life	Action
Revision A, Serial Numbers FXX...		
Timing belt	6,000 hours/duty cycle*	Replace component
E-chain harnessing	2-4 years	Replace all cables
Ethernet cable	2-4 years	Replace component
Tape seals	2-4 years	Replace component
Tape seal rollers	2-4 years	Replace component
Revision B Feb 2015, Serial Numbers FXB...		
Timing belt	6,000 hours/duty cycle*	Replace component
E-chain harnessing	20,000 hours	Replace all cables
Ethernet cable before May 2017	2-4 years	Teflon replacement 10 years

*For example, if rail operates at 50% duty cycle, expected life is 12,000 hours

NOTE: See the PreciseFlex 3400 Service Procedures manual for detailed instructions on how to perform each inspection and maintenance operation.

Appendix E: Verification of PreciseFlex 3400 Collision Forces

ISO TS 15066 Test Results, Transient Contact

Quasi-static contact testing with 1, 4, and 8 kg payloads. Forces in green mean that they are within specification.

1 kg										
Cartesian (XY, Z)					J1			J3		
acc/dec	100/100	100/100	100/100			25/25				300/300
dist. (mm)	50	50	50			150				92
dist. (deg)	-	-	-			15				15
Speed (%)	mm/s	X (N)	Y (N)	Z (N)	deg/s	mm/s	N	deg/s	mm/s	N
10	60	4	12	19	12	115	18	36	220	35
20	120	16	20	37	24	230	35	72	440	68
40	240	31	40	66	48	461	70	144	879	132
60	360	51	62	84	72	691	136	216	1319	185
80	480	67	78	102	96	921	212	288	1758	205
100	600	83	87	123	120	1151	243	360	2198	210
4 kg *										
Cartesian (XY, Z)					J1			J3		
acc/dec	100/100	100/100	100/100			25/25				300/300
dist. (mm)	50	50	50			150				92
dist. (deg)	-	-	-			15				15
Speed (%)	mm/s	X (N)	Y (N)	Z (N)	deg/s	mm/s	N	deg/s	mm/s	N
10	60	11	4	22	12	115	21	36	220	25
20	120	19	18	34	24	230	41	72	440	77
40	240	39	38	70	48	461	101	144	879	128
60	360	64	65	85	72	691	149	216	1319	175
80	480	82	83	104	96	921	201	288	1758	193
100	600	93	92	123	120	1151	243	360	2198	202
8 kg										
Cartesian (XY, Z)					J1			J3		
acc/dec	100/100	100/100	100/100			25/25				300/100
dist. (mm)	50	50	50			150				92
dist. (deg)	-	-	-			15				15
Speed (%)	mm/s	X (N)	Y (N)	Z (N)	deg/s	mm/s	N	deg/s	mm/s	N
10	60	6	13	22	12	115	18	36	220	38
20	120	17	21	41	24	230	35	72	440	79
40	240	35	41	71	48	461	70	144	879	140
60	360	55	66	90	72	691	143	216	1319	150
80	480	72	83	110	96	921	212	288	1758	160
100	600	89*	91*	133*	120	1151	257	360	2198	160

ISO TS 15066 Test Results, Quasi-Static Contact

Quasi-static contact testing with 1, 4, and 8 kg payloads. Forces in green mean that they are within specification.

Examples:

- To keep the robot's Z forces within specification, keep the speed less than or equal to 40%
- For J3 in the 8 kg payload example below, to keep the robot's forces within specification maintain the speed at or below 144 degrees per second or 879 mm per second.

1 kg										
	Cartesian (XY, Z)				J1			J3		
	acc/dec	100/100	100/100	100/50			25/15			300/25
	dist. (mm)	35	35	20			15			92
	dist. (deg)	-	-	-			1.5			15
Speed (%)	mm/s	X (N)	Y (N)	Z (N)	deg/s	mm/s	J1 (N)	deg/s	mm/s	N
10	60	29	76	211	12	115	70	36	220	69
20	120	36	75	221	24	230	80	72	440	130
40	240	74	103	255	48	461	132	144	879	179
60	360	108	121	285	72	691	130	216	1319	175
80	480	126	132	304	96	921	280	288	1758	175
100	600	140*	144*	319	120	1151	240	360	2198	175
4 kg *										
	Cartesian (XY, Z)				J1			J3		
	acc/dec	100/100	100/100	100/50			25/15			300/25
	dist. (mm)	35	35	20			15			92
	dist. (deg)	-	-	-			1.5			15
Speed (%)	mm/s	X (N)	Y (N)	Z (N)	deg/s	mm/s	J1 (N)	deg/s	mm/s	N
10	60	28	77	206	12	115	73	36	220	103
20	120	46	81	222	24	230	91	72	440	172
40	240	99	120	260	48	461	131	144	879	217
60	360	133	150	290	72	691	154	216	1319	225
80	480	158	174	313	96	921	250	288	1758	224
100	600	182	176	328	120	1151	250	360	2198	224
8 kg										
	Cartesian (XY, Z)				J1			J3		
	acc/dec	100/100	100/100	100/50			25/15			300/25
	dist. (mm)	35	35	20			15			92
	dist. (deg)	-	-	-			1.5			15
Speed (%)	mm/s	X (N)	Y (N)	Z (N)	deg/s	mm/s	J1 (N)	deg/s	mm/s	N
10	60	28	77	209	12	115	66	36	220	113
20	120	60	84	223	24	230	95	72	440	200
40	240	122	140	266	48	461	225	144	879	280
60	360	175	168	301	72	691	280	216	1319	305
80	480	207	193	328	96	921	-	288	1758	305
100	600	214	203	341	120	1151	-	360	2198	310

Appendix F: Table A2 from ISO/TS 15066: 2016, Biomechanical Limits

Body region	Specific body area		Quasi-static contact		Transient contact	
			Maximum permissible pressure ^a p_s N/cm ²	Maximum permissible force ^b N	Maximum permissible pressure multiplier ^c P_T	Maximum permissible force multiplier ^c F_T
<i>Skull and forehead^d</i>	1	<i>Middle of forehead</i>	130	130	not applicable	not applicable
	2	<i>Temple</i>	110		not applicable	
Face ^d	3	Masticatory muscle	110	65	not applicable	not applicable
Neck	4	Neck muscle	140	150	2	2
	5	Seventh neck muscle	210		2	
Back and shoulders	6	Shoulder joint	160	210	2	2
	7	Fifth lumbar vertebra	210		2	
Chest	8	Sternum	120	140	2	2
	9	Pectoral muscle	170		2	
Abdomen	10	Abdominal muscle	140	110	2	2
Pelvis	11	Pelvic bone	210	180	2	2
Upper arms and elbow joints	12	Deltoid muscle	190	150	2	2
	13	Humerus	220		2	
Lower arms and wrist joints	14	Radial bone	190	160	2	2
	15	Forearm muscle	180		2	
	16	Arm nerve	180		2	

^a These biomechanical values are the result of the study conducted by the University of Mainz on pain onset levels. Although this research was performed using state-of-the-art testing techniques, the values shown here are the result of a single study in a subject area that has not been the basis of extensive research. There is anticipation that additional studies will be conducted in the future that could result in modification of these values. Testing was conducted using 100 healthy adult test subjects on 29 specific body areas, and for each of the body areas, pressure and force limits for quasi-static contact were established evaluating onset of pain thresholds. The maximum permissible pressure values shown here represent the 75th percentile of the range of recorded values for a specific body area. They are defined as the physical quantity corresponding to when pressures applied to the specific body area create a sensation corresponding to the onset of pain. Peak pressures are based on averages with a resolution size of 1 mm². The study results are based on a test apparatus using a flat (1.4 × 1.4) cm (metal) test surface with 2 mm radius on all four edges. There is a possibility that another test apparatus could yield different results. For more details of the study, see Reference [5].

^b The values for maximum permissible force have been derived from a study carried out by an independent organization (see Reference [6]), referring to 188 sources. These values refer only to the body regions, not to the more specific areas. The maximum permissible force is based on the lowest energy transfer criteria that could result in a minor injury, such as a bruise, equivalent to a severity of 1 on the Abbreviated Injury Scale (AIS) established by the Association for the Advancement of Automotive Medicine. Adherence to the limits will prevent the occurrence of skin or soft tissue penetrations that are accompanied by bloody wounds, fractures or other skeletal damage and to be below AIS 1. They will be replaced in future by values from a research more specific for collaborative robots.

^c The multiplier value for transient contact has been derived based on studies which show that transient limit values can be at least twice as great as quasi-static values for force and pressure. For study details, see References [2], [3], [4] and [7].

^d Critical zone (*italicized*)

Body region	Specific body area		Quasi-static contact		Transient contact	
			Maximum permissible pressure ^a p_s N/cm ²	Maximum permissible force ^b N	Maximum permissible pressure multiplier ^c P_T	Maximum permissible force multiplier ^c F_T
Hands and fingers	17	Forefinger pad D	300	140	2	2
	18	Forefinger pad ND	270		2	
	19	Forefinger end joint D	280		2	
	20	Forefinger end joint ND	220		2	
	21	Thenar eminence	200		2	
	22	Palm D	260		2	
	23	Palm ND	260		2	
	24	Back of the hand D	200		2	
	25	Back of the hand ND	190		2	
Thighs and knees	26	Thigh muscle	250	220	2	2
	27	Kneecap	220		2	
Lower legs	28	Middle of shin	220	130	2	2
	29	Calf muscle	210		2	

^a These biomechanical values are the result of the study conducted by the University of Mainz on pain onset levels. Although this research was performed using state-of-the-art testing techniques, the values shown here are the result of a single study in a subject area that has not been the basis of extensive research. There is anticipation that additional studies will be conducted in the future that could result in modification of these values. Testing was conducted using 100 healthy adult test subjects on 29 specific body areas, and for each of the body areas, pressure and force limits for quasi-static contact were established evaluating onset of pain thresholds. The maximum permissible pressure values shown here represent the 75th percentile of the range of recorded values for a specific body area. They are defined as the physical quantity corresponding to when pressures applied to the specific body area create a sensation corresponding to the onset of pain. Peak pressures are based on averages with a resolution size of 1 mm². The study results are based on a test apparatus using a flat (1,4 × 1,4) cm (metal) test surface with 2 mm radius on all four edges. There is a possibility that another test apparatus could yield different results. For more details of the study, see Reference [5].

^b The values for maximum permissible force have been derived from a study carried out by an independent organization (see Reference [6]), referring to 188 sources. These values refer only to the body regions, not to the more specific areas. The maximum permissible force is based on the lowest energy transfer criteria that could result in a minor injury, such as a bruise, equivalent to a severity of 1 on the Abbreviated Injury Scale (AIS) established by the Association for the Advancement of Automotive Medicine. Adherence to the limits will prevent the occurrence of skin or soft tissue penetrations that are accompanied by bloody wounds, fractures or other skeletal damage and to be below AIS 1. They will be replaced in future by values from a research more specific for collaborative robots.

^c The multiplier value for transient contact has been derived based on studies which show that transient limit values can be at least twice as great as quasi-static values for force and pressure. For study details, see References [2], [3], [4] and [7].

^d Critical zone (*italicized*)

Appendix G: Safety Circuits for PreciseFlex 3400 3 kg Payload

14-Jun-17	PF3400							
Safety Circuit	Startup Test 1	Redundant	Continuous Test	Diagnostic Coverage MTTF, Years	Power Off On Failure	PL	Category Safety	Notes (PF3400t has redundant Estop and 48V power supply enable)
Estop	Yes	Yes	No	99%	100	Yes	d 3	Startup test forces Estop, checks 48V power disable, zero amp current Dual Estop circuits turns off amp enable and PWM Dual Estop circuits turns off 48V power Stopping robot with hand turns off amp enable, PWM and 48V
Encoder Feedback	Yes	No	Yes	90%	58	Yes	d 3	Startup test checks encoder communication, prevents mtr power if fault Serial update at 8Khz w checksum, comm check, accel check Counter embedded in position word to confirm CPU read from FPGA
CPU Monitor	Yes	Yes	Yes	99%	100	Yes	d 3	Startup test forces CPU WD low, checks 48V power disabled Independent dual watchdog timers turn off amp enable, PWM and 48V Processor on safety board monitors main CPU. Disables 48V if failure.
Position Envelope Error	Yes	Yes	Yes	90%	57	Yes	d 3	Startup test checks encoder communication, prevents mtr power if fault Serial update at 8Khz w checksum, comm check, accel check 5W watchdog in servo loop turns off amp enable, PWM and 48V Counter embedded in position word to confirm CPU read from FPGA
Power amp Fault	Yes	Yes	Yes	90%	100	Yes	d 3	Startup test confirms zero current when 48V enabled Excess current to ground or phase to phase triggers shutdown in 10 usec Saturated PID current command triggers shutdown in .050 sec Shorted transistor just locks up brushless motor
Collab Force Limit	Yes	Yes	Yes	90%	5W	Yes	d 3	Tests 2, 3, 4 above test HW. Motor driven against brake to test 5W current limit. Position envelope error triggers fault, turns off power at amp and 48V Current saturation triggers separate fault, turns off power at amp and 48V Monitor function with WD turns off power at amp and 48V Monitor and CPU WD tested at startup turning off 48V Asymmetric current limits limit Z force even with gravity load
Velocity Restrict	Yes	Yes	Yes	99%	93	Yes	d 3	Startup test, sets flag to trigger this error, then resets Checks velocity limit in FPGA in addition to check in CPU servo software
								1. Cat 2 and Cat 3 require startup test before enabling motor power

Figure 1-1: Safety Circuits for PreciseFlex 3400 3 kg Payload, Checklist

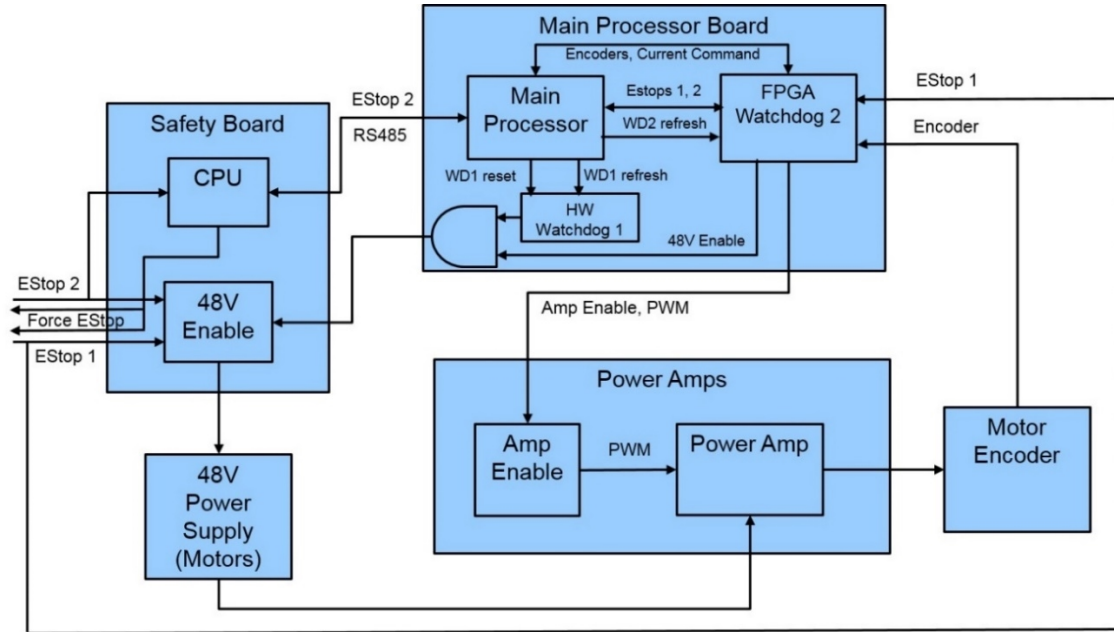


Figure 1-2: PreciseFlex 3400 3 kg Safety Circuit

Appendix H: Torque Values for Screws

Use these torque values for all screws and fasteners unless otherwise stated.

Torque Values in Newton-Meters

Screw Size M	Zinc	SS	Zinc	SS	Zinc	SS
	SHCS	SHCS	BHCS	BHCS	FHCS	FHCS
1.6	0.18	0.15	0.00	0.00	0.00	0.00
2	0.37	0.31	0.00	0.00	0.00	0.00
2.5	0.77	0.64	0.00	0.00	0.00	0.00
3	1.34	1.12	0.56	0.51	0.83	0.75
4	3.16	2.63	1.31	1.17	1.53	1.38
5	6.48	5.40	2.66	2.39	3.11	2.79
6	10.96	9.14	4.50	4.05	5.40	4.86